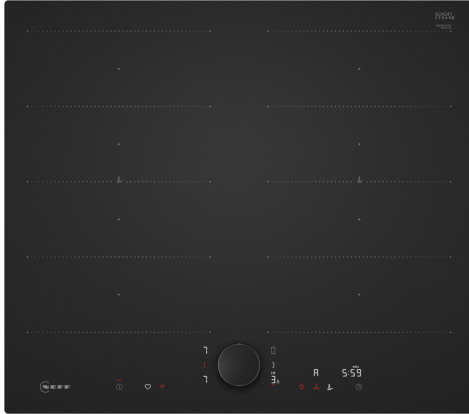


N 90, INDUCTION HOB, 60 CM, MATT BLACK,  
T66NUX4A0



Optional accessories

Z1365WX0	Wireless food thermometer
Z9401FF0	Flex Pan, large
Z9401TY0	Teppan Yaki
Z9403FF0	Flex Pan set, 3 pcs.
Z9404FF0	Flex Pan set, 4 pcs.
Z9404SE0	4 pieces Set
Z9406SE0	6 pieces Set
Z9416X2	Griddle Plate
Z9428FE0	Iron pan Ø 18 / 28 cm
Z943SE0	Set of 2 pots and 1 pan

Standalone Flex Induction hob with Twist Pad® control.

- ✓ Matt Black Design: Easy to clean, less visible fingerprints and scratches\* - thanks to the matt hob finish.
- ✓ Twist Pad®: the removable, magnetic control dial for precise, convenient control.
- ✓ Flex Induction: flexible cooking zones and automatic cookware detection.
- ✓ Extended Frying Sensor: monitor your desired temperature to prevent burning.
- ✓ Home Connect: monitor your hob via the app.

Features

Technical Data

Product name/family: .....	Cooking zone ceramic
Built-in / Free-standing: .....	Built-in
Energy input: .....	Electric
Number of cooking zones: .....	4
Required niche size for installation (HxWxD): .....	51 x 560-560 x 490-500 mm
Width of the appliance: .....	592 mm
Dimensions: .....	51x592x522 mm
Dimensions of the packed product (HxWxD): .....	126x753x608 mm
Net weight: .....	13.5 kg
Gross weight: .....	14.7 kg
Residual heat indicator: .....	Separate
Location of control panel: .....	Front
Basic surface material: .....	Ceramic
Color of surface: .....	Matt black
Length electrical supply cord: .....	110 cm
EAN code: .....	4242004293606
Voltage: .....	220-240 V
Frequency: .....	50-60 Hz



## N 90, INDUCTION HOB, 60 CM, MATT BLACK, T66NUX4A0

### Features

- 60 cm: space for 4 pots or pans.

#### Flexibility of cooking zones

- 2 Flex zones: use cookware of any shape or size anywhere within the 40cm long zone.
- Cooking zone front left: 190 mm, 230 mm, 2.2 KW (max. power 3.7 KW)
- Cooking zone rear left: 190 mm, 230 mm, 2.2 KW (max. power 3.7 KW)
- Cooking zone rear right: 190 mm, 230 mm, 2.2 KW (max power 3.7 KW)
- Cooking zone front right: 190 mm, 230 mm, 2.2 KW (max. power 3.7 KW)

#### Usage convenience

- Twist Pad (Anthracite Grey): directly control the power with the removable magnetic knob.
- Two coloured display (white/red): easily see which function is activated.
- Favourite Button: directly access favourite functions with a configurable button (available with connected Home Connect account).
- Variable 17-stage power settings for each zone: precisely adapt the heat with 17 power levels (9 main levels and 8 intermediate levels).
- Keep warm function: via HC app/MyButton: Keep dishes warm at preset low power level.
- Switch-off timer: switches off the cooking zone at the end of the time set (e.g. for boiled eggs).
- Count-down-timer (can be chosen instead of switch-off timer): an alarm sounds at the end of the time set (e.g. for pasta).
- Sound volume adaptable to personal preference and needs.

#### Time saving & efficiency

- Power Boost function for all zones
- : boil water faster thanks to 50% more energy than at the highest standard level.
- Pan boost, selectable via Favourite button/Home Connect App (for appliances connected to Home Connect account): heat up pans faster than at the highest standard level while protecting the pan coating.
- Automatic join split: when placing large cookware on the Flex zone, the hob automatically connects two cooking zones into a large continuous one.
- PowerTransfer: when moving a pot to a different cooking zone, this feature transfers all previous settings to the new zone at the touch of a button.
- Automatic zone selection: when switched on, the hob automatically selects the cooking zone on which a new cookware is placed.
- When moving a pot on the Flex zone, the settings adjust instantly and the cooking zone adapts to the size of the cookware.
- QuickStart function: when switching on, the hob automatically selects the cooking zone with cookware (when placed on a zone whilst the hob is off).
- ReStart function: in case of unintentional switch-off, this feature restores all previous settings by switching on the hob again within 4 seconds.

#### Cooking assistance

- Extended Frying Sensor: prevents overcooking with the automatic temperature regulation of the integrated sensor.
- Dish assistant: easily find the right temperature setting for a certain dish via the home connect app.

#### Connectivity

- Home Connect with Remote Monitoring: check if the hob is switched off even when not at home, and find recipes or additional functions in the Home Connect app.
- Hob Hood Control - hood control (with Wi-Fi enabled hood): automatically activates the hood when cooking, thanks to the WiFi connection of hob and suitable hood.
- Smart Hood Automatic: hood automatically adapts fan speed thanks to hob continuously providing cooking data (with matching hood and connected Home Connect account).
- Smart home trigger, via Favourite button (available with connected Home Connect account): open up the smart universe from your cooktop (partner service required).
- Updateable appliance (available with connected Home Connect account): keep appliance always up to date with latest status of software. Updateable appliance (available with connected Home Connect account): keep appliance always up to date with latest status of software.

#### Design

- Matt Black Design: elegant, matt glass ceramic design which is less susceptible to visible scratches and fingerprints.
- Frameless

#### Safety

- 2 stage residual heat indicators: indicates which cooking zones are still hot or warm.
- Control panel lock: prevent unintended activation of the hob.
- Pause function: pause the heating process, e.g to answer the door.
- Main switch: switch off all cooking zones at the touch of a button.
- Safety cut out facility: for safety reasons, heating stops after a preset time if not used.

#### Installation

- Dimensions of the product (HxWxD mm): 51 x 592 x 522
- Required niche size for installation (HxWxD mm) : 51 x 560 x (490 - 500)
- Min. worktop thickness: 16 mm
- Connected load: 7.4 KW
- 4.6kW power output (20A); current management options for 16A, 13A or 10A connection: limit the maximum power if needed (depends on fuse protection of electric installation).
- Power cord: 1.1 m, Cable included in packaging

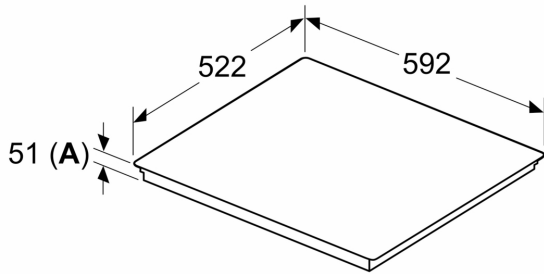
#### Accessories

- twist pad included

N 90, INDUCTION HOB, 60 CM, MATT BLACK,  
T66NUX4A0

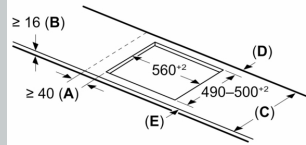
Dimensioned drawings

Measurements in mm



**A:** Recessed depth

Measurements in mm



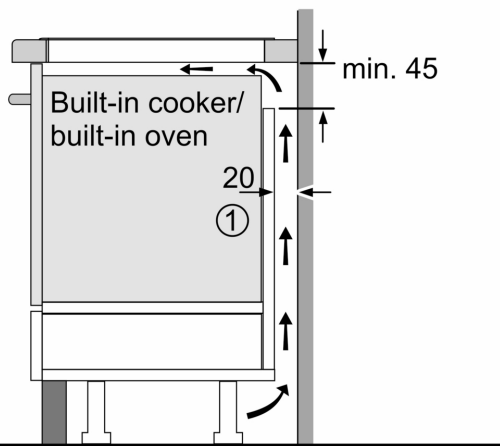
**A:** Min. distance from the hob cut-out to the wall

**B:** The clearance between the surface of the worktop and the top of the front of the oven must be 30 mm

See space requirements for the oven

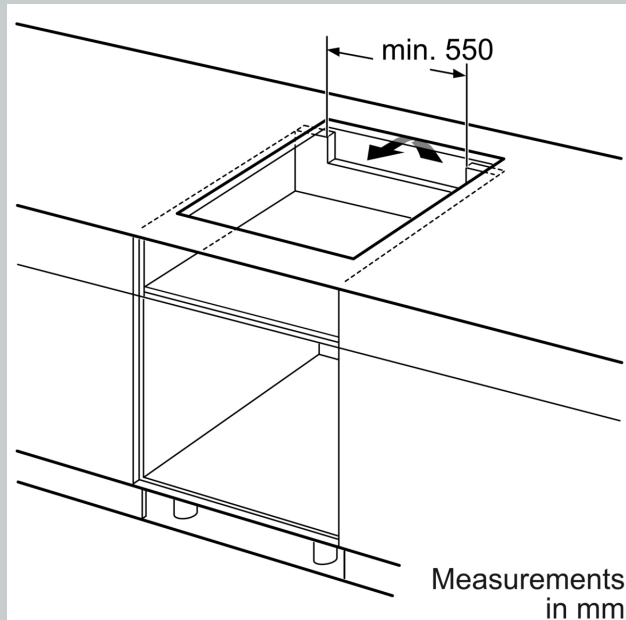
The worktop into which the hob is installed must withstand loads of approx. 60 kg; suitable substructures must be used if required

C	D	E
585-600	50	≥ 35
> 600	≥ 50	≥ 50



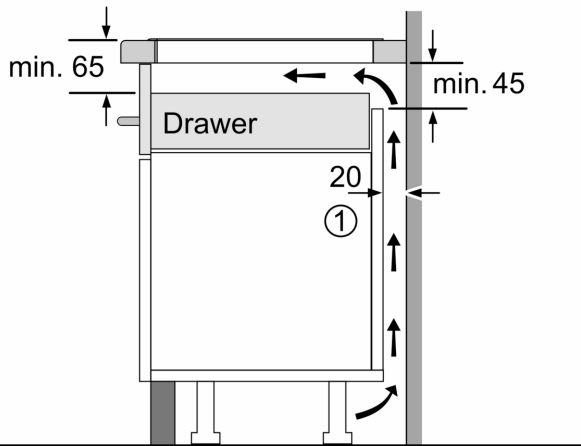
① Ventilation gap must be present

All measurements in mm



Measurements in mm

Dimensioned drawings



①  
Ventilation gap must  
be present.

Measurements in mm