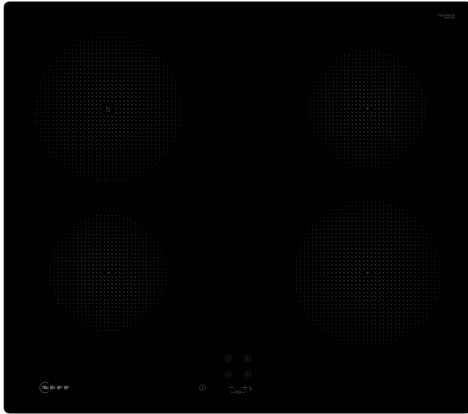


N 30, INDUCTION HOB, 60 CM, BLACK,
T36CA50X1U



Optional accessories

Z1365WX0	Wireless food thermometer
Z9404SE0	4 pieces Set
Z9406SE0	6 pieces Set
Z943SE0	Set of 2 pots and 1 pan

Induction cooktop with TouchControl.

- ✓ Plug&Play: No electrician needed.
- ✓ Power Boost – An extra surge of heat when you need fast results.
- ✓ Induction: heat is generated directly in the cookware for precise cooking that stops instantly when off.

Features

Technical Data

Product name/family:	Cooking zone ceramic
Built-in / Free-standing:	Built-in
Energy input:	Electric
Number of cooking zones:	4
Required niche size for installation (HxWxD):	51 x 560-560 x 490-500 mm
Width of the appliance:	592 mm
Dimensions:	51x592x522 mm
Dimensions of the packed product (HxWxD):	126x753x603 mm
Net weight:	10.1 kg
Gross weight:	11.2 kg
Residual heat indicator:	Separate
Location of control panel:	Front
Basic surface material:	Ceramic
Color of surface:	Black
Length electrical supply cord:	110 cm
EAN code:	4242004258711
Voltage:	220-240 V
Frequency:	50; 60 Hz



*N 30, INDUCTION HOB, 60 CM, BLACK,
T36CA50X1U*

Features

- 60 cm: space for 4 pots or pans.

Flexibility of cooking zones

- Cooking zone front left: 145 mm, 1.4 KW
- Cooking zone rear left: 180 mm, 1.8 KW (max. power 3.1 KW)
- Cooking zone rear right: 145 mm, 1.4 KW
- Cooking zone front right: 180 mm, 1.8 KW

Usage convenience

- Touch Control Basic: control the power with imprinted +/- touch buttons.
- Variable 9-stage power settings for each zone: precisely adapt the heat with 9 power levels.

Time saving & efficiency

- PowerBoost function in the front left zone
- : boil water faster thanks to 50% more energy than at the highest standard level.
- Quick-Off: quickly switch off a cooking zone with one longer touch.

Design

- Frameless

Safety

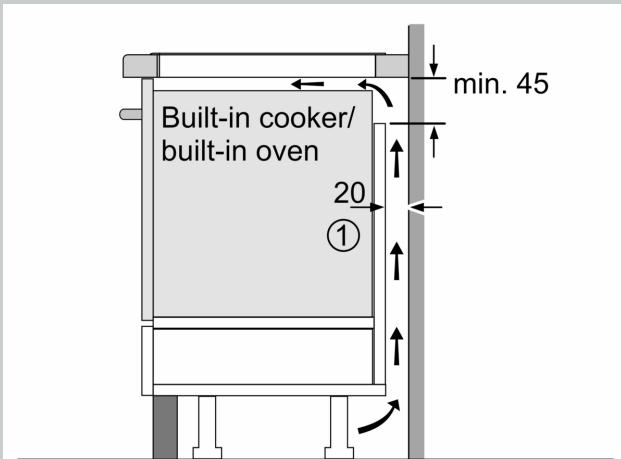
- Control panel lock: prevent unintended activation of the hob.
- Main switch: switch off all cooking zones at the touch of a button.
- Safety cut out facility: for safety reasons, heating stops after a preset time if not used.

Installation

- Dimensions of the product (HxWxD mm): 51 x 592 x 522
- Required niche size for installation (HxWxD mm) : 51 x 560 x (490 - 500)
- Min. worktop thickness: 16 mm
- Connected load: 3.7 KW
- Power cord 1.1 m UK 3 pin plug: plug and play, no electrician required for installation.
- This hob is equipped with a UK 3 pin plug for an easy plug & play installation. The plug limits the maximum power output to 3.7 KW. For higher power output, please select a hob without plug and ensure installation is carried out by a qualified electrician.

N 30, INDUCTION HOB, 60 CM, BLACK,
T36CA50X1U

Dimensioned drawings



①
Ventilation gap must
be present

All measurements in mm

