

## Series 6, Fully-integrated dishwasher, 60 cm SMD6ZCX61G



## PerfectDry dishwashers for best drying results with Extra Clean Zone for spotless clean dishes.

- **PerfectDry:** perfect drying results with low energy consumption, even for hard-to-dry items.
- **Rackmatic:** even more adjustment options and maximum flexibility.
- **Max Flex baskets:** flexible and stable loading for your dishes, with superior sliding performance.
- **TimeLight:** program status and remaining time clearly displayed on floor in high resolution.
- **Home Connect:** home appliances with smart connectivity for an easier everyday life.

### Technical Data

Energy Efficiency Class <sup>1</sup> : .....	C
Energy Consumption for 100 cycles Eco Programme <sup>2</sup> : ....	74 kWh/100 cycles
Maximum number of place settings: .....	13
The water consumption of the eco programme in liters per cycle: .....	7.7 l
Programme duration <sup>3</sup> : .....	3:45 h
Airborne acoustical noise emissions : .....	44 dB(A) re 1pW
Airborne acoustical noise emission class: .....	B
Built-in / Free-standing: .....	Built-in
Height of removable worktop: .....	0 mm
Required niche size for installation (HxWxD): ....	815-875 x 600 x 550 mm
Depth with open door 90 degree: .....	1150 mm
Adjustable feet: .....	Yes - all from front
Maximum adjustability feet: .....	60 mm
Adjustable plinth: .....	Both horizontal and vertical
Net weight: .....	41.8 kg
Gross weight: .....	44.0 kg
Connection rating: .....	2400 W
Fuse protection: .....	10 A
Voltage: .....	220-240 V
Frequency: .....	50; 60 Hz
Length electrical supply cord: .....	175 cm
Plug type: .....	GB plug
Length inlet hose: .....	165 cm
Length outlet hose: .....	190 cm
EAN code: .....	4242005546541
Installation typology: .....	Integrated

### Optional accessories

SGZ8BI00	Connection rail for divided furniture
SMZ5035	Decor conversion kit, stainless steel
SMZ5100	Vario-cutlery basket
SMZ5300	GlassSecure Tray
SGZ0BI01	decorative strips stainless steel 81,5cm
SGZ0IC00	Small Item Clip for upper rack
SGZ1010	inlet and outlet hose extension



<sup>1</sup> Scale of Energy Efficiency Classes from A to G  
<sup>2</sup> Energy consumption in kWh per 100 cycles (in programme Eco 50 °C)  
<sup>3</sup> Duration of programme Eco 50 °C

## Series 6, Fully-integrated dishwasher, 60 cm SMD6ZCX61G

### PerfectDry dishwashers for best drying results with Extra Clean Zone for spotless clean dishes.

- Energy Efficiency Class<sup>1</sup>: C
- Energy<sup>2</sup> / Water<sup>3</sup>: 74 kWh / 7.7 litres
- Capacity: 13 place settings
- Programme duration<sup>4</sup>: 3:45 (h:min)
- Noise level: 44 dB(A) re 1 pW
- Noise Efficiency Class: B
- Noise level (silence programme): 42 dB(A) re 1 pW

#### Performance

- 7 programmes: Eco 50 °C, Auto 45-65 °C, Intensive 70 °C, Express 60 °C, Express 45 °C 45 °C, Silence 50 °C, Favourite
- Default favourite programme: Pre-Rinse
- 4 special options: Remote Start, Extra Dry, Intensive Zone, SpeedPerfect+
- Machine Care
- Add-On functions via Home Connect app: Hygiene+, Silence on Demand

#### Innovations and technology

- Zeolith - Energy efficient and perfect drying results
- Heat exchanger - Hygienic and efficient drying
- AquaSensor III
- Water management system
- DosageAssist detergent dispenser
- EcoSilence BLDC drive
- Self-cleaning filter system with 3 piece corrugated filter
- Stainless steel interior

#### Programmes / functions

- Max Flex baskets Basket system with red coloured touchpoints
- Extra Clean Zone
- VarioDrawer - loading of cutlery on 3rd level
- 3 stage Rackmatic height-adjustable top basket
- Smooth running wheels on upper basket
- Low friction wheels on bottom basket
- Anti-slip protection strips in upper basket
- Rack Stopper to prevent derailing of bottom basket
- 2 foldable plate racks in top basket
- 6 foldable plate racks in bottom basket
- Upper rack cup shelf
- Lower rack cup shelf

#### Design features

- Home Connect ready on WLAN
- Touch Control (metallic)
- Push button top edge controls
- English GB
- TimeLight - Light projection on the floor
- Acoustic end of cycle indicator, Time remaining indicator (min),

- water inlet indicator
- Acoustic end of cycle indicator
- Time delay (3, 6 or 24 hours)

#### Flexible design elements

- AquaStop: Bosch's warranty in case of water damage - for the lifetime of the appliance. Please find warranty terms under <https://www.bosch-home.co.uk/customer-service/care-protection-and-parts/additional-warranties>
- ChildLock - double push to open
- DoorOpen Assist - perfectly designed for kitchens without handles
- AquaMix - Glass protection system
- Includes salt filling funnel
- incl. Steam protection for worktop
- Dimensions (HxWxD): 81.5 x 59.8 x 55cm

<sup>1</sup> Scale of Energy Efficiency Classes from A to G

<sup>2</sup> Energy consumption in kWh per 100 cycles (in programme Eco 50 °C)

<sup>3</sup> Water consumption in litres per cycle (in programme Eco 50 °C)

<sup>4</sup> Duration of programme Eco 50 °C

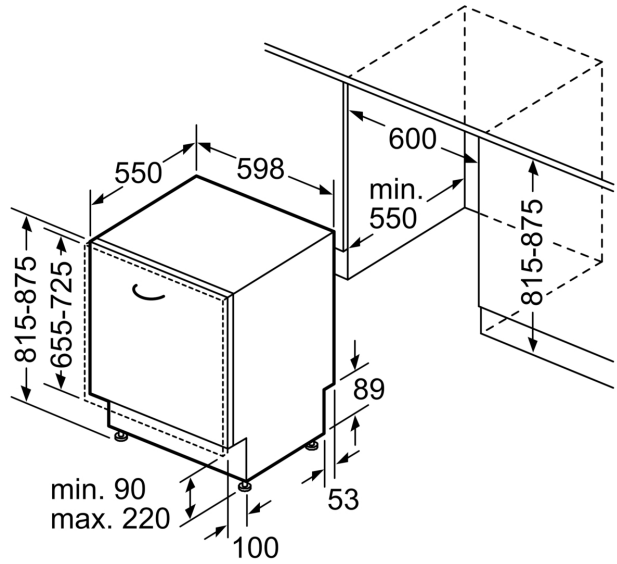
\* Please find warranty terms under <https://www.siemens-home.bsh-group.com/uk/customer-service/warranty/additional-warranties>

## Series 6, Fully-integrated dishwasher, 60 cm SMD6ZCX61G

measurements in mm



⌚ socket  
( ) values with extension kit



measurements in mm