

**Series 6, Fully-integrated
dishwasher, 60 cm
SMD6YCX02G**



**Energy label A dishwasher, thanks to our
Smart Energy Saving Solutions with no
constraining compromises to perfect
results.**

- **PerfectDry:** perfect drying results with low energy consumption, even for hard-to-dry items.
- **Rackmatic:** even more adjustment options and maximum flexibility.
- **Max Flex baskets:** flexible and stable loading for your dishes, with superior sliding performance.
- **Home Connect:** home appliances with smart connectivity for an easier everyday life.
- **Extra Clean Zone:** extra cleaning for items in your top basket.

Technical Data

Energy Efficiency Class¹: A
 Energy Consumption for 100 cycles Eco Programme²: 54 kWh/100 cycles
 Maximum number of place settings: 14
 The water consumption of the eco programme in liters per cycle: 9.5 l
 Programme duration³: 4:55 h
 Airborne acoustical noise emissions :44 dB(A) re 1pW
 Airborne acoustical noise emission class:B
 Built-in / Free-standing: Built-in
 Height of removable worktop: 0 mm
 Required niche size for installation (HxWxD):815-875 x 600 x 550 mm
 Depth with open door 90 degree: 1150 mm
 Adjustable feet: Yes - all from front
 Maximum adjustability feet: 60 mm
 Adjustable plinth: Both horizontal and vertical
 Net weight:41.8 kg
 Gross weight: 44.0 kg
 Connection rating: 2400 W
 Fuse protection:10 A
 Voltage: 220-240 V
 Frequency: 50; 60 Hz
 Length electrical supply cord: 175 cm
 Plug type:GB plug
 Length inlet hose: 165 cm
 Length outlet hose: 190 cm
 EAN code:4242005546534
 Installation typology: Integrated

Optional accessories

SGZ8BI00	Connection rail for divided furniture
SMZ5035	Decor conversion kit, stainless steel
SMZ5100	Vario-cutlery basket
SMZ5300	GlassSecure Tray
SGZ0BI01	decorative strips stainless steel 81,5cm
SGZ0IC00	Small Item Clip for upper rack
SGZ1010	inlet and outlet hose extension



¹ Scale of Energy Efficiency Classes from A to G
² Energy consumption in kWh per 100 cycles (in programme Eco 50 °C)
³ Duration of programme Eco 50 °C

Series 6, Fully-integrated dishwasher, 60 cm SMD6YCX02G

Energy label A dishwasher, thanks to our Smart Energy Saving Solutions with no constraining compromises to perfect results.

- Energy Efficiency Class¹: A
- Energy² / Water³: 54 kWh / 9.5 litres
- Capacity: 14 place settings
- Programme duration⁴: 4:55 (h:min)
- Noise level: 44 dB(A) re 1 pW
- Noise Efficiency Class: B
- Noise level (silence programme): 43 dB(A) re 1 pW

Performance

- 7 programmes: Eco 50 °C, Auto 45-65 °C, Intensive 70 °C, Express 60 °C, Express 45 °C 45 °C, Silence 50 °C, Favourite
- Default favourite programme: Pre-Rinse
- 4 special options: Remote Start, Extra Dry, Intensive Zone, SpeedPerfect+
- Machine Care
- Add-On functions via Home Connect app: Hygiene+, Silence on Demand

Innovations and technology

- Zeolith - Energy efficient and perfect drying results
- Efficient Dry and Heat Exchanger
- AquaSensor III
- DosageAssist detergent dispenser
- EcoSilence BLDC drive
- Self-cleaning filter system with 3 piece corrugated filter
- Stainless steel interior

Programmes / functions

- Max Flex baskets Basket system with red coloured touchpoints
- Extra Clean Zone
- VarioDrawer - loading of cutlery on 3rd level
- 3 stage Rackmatic height-adjustable top basket
- Smooth running wheels on upper basket
- Low friction wheels on bottom basket
- Anti-slip protection strips in upper basket
- Rack Stopper to prevent derailing of bottom basket
- 2 foldable plate racks in top basket
- 6 foldable plate racks in bottom basket
- Upper rack cup shelf
- Lower rack cup shelf

Design features

- Home Connect ready on WLAN
- Touch Control (metallic)
- Push button top edge controls
- English GB
- TimeLight - Light projection on the floor
- Acoustic end of cycle indicator, Time remaining indicator (min),

- water inlet indicator
- Acoustic end of cycle indicator
- Time delay (3, 6 or 24 hours)

Flexible design elements

- AquaStop: Bosch's warranty in case of water damage - for the lifetime of the appliance. Please find warranty terms under <https://www.bosch-home.co.uk/customer-service/care-protection-and-parts/additional-warranties>
- ChildLock - double push to open
- DoorOpen Assist - perfectly designed for kitchens without handles
- AquaMix - Glass protection system
- Includes salt filling funnel
- incl. Steam protection for worktop
- Dimensions (HxWxD): 81.5 x 59.8 x 55cm

¹ Scale of Energy Efficiency Classes from A to G

² Energy consumption in kWh per 100 cycles (in programme Eco 50 °C)

³ Water consumption in litres per cycle (in programme Eco 50 °C)

⁴ Duration of programme Eco 50 °C

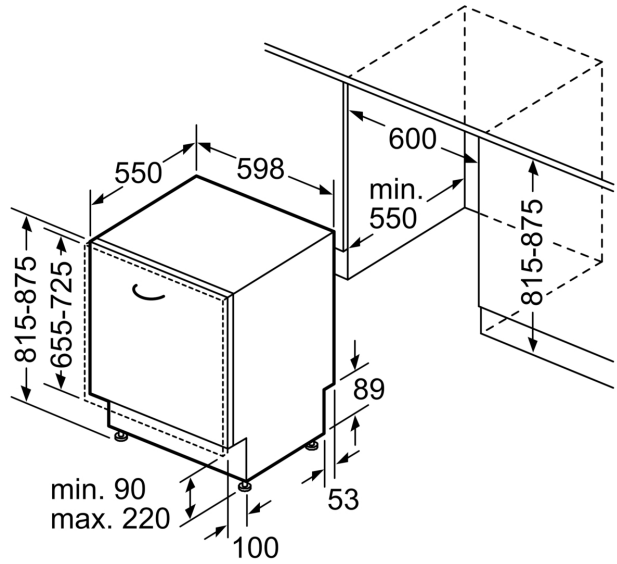
* Please find warranty terms under <https://www.siemens-home.bsh-group.com/uk/customer-service/warranty/additional-warranties>

Series 6, Fully-integrated dishwasher, 60 cm SMD6YCX02G

measurements in mm



⌚ socket
() values with extension kit



measurements in mm