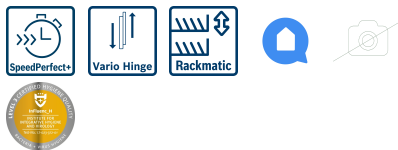


Series 4, Fully-integrated dishwasher, 60 cm, , Variable hinge SBH4HVX14G



Flexible loading and smart remote control of your VarioHinge dishwasher via the Home Connect app. VarioHinge the perfect solution for installations with low plinth heights and high built-in situations.

- **XXL dishwashers:** are 5cm larger than standard dishwashers, creating more space for larger dishes.
- **SpeedPerfect+:** Reduced washing time, perfectly cleaned dishes.
- **A perfect design match thanks to Vario Hinge. Leaving no gaps even in kitchens with low plinth heights and high built-in solutions.**
- **Rackmatic:** even more adjustment options and maximum flexibility.
- **Home Connect:** home appliances with smart connectivity for an easier everyday life.

Technical Data

Energy Efficiency Class ¹ :C
Energy Consumption for 100 cycles Eco Programme ² : 75 kWh/100 cycles
Maximum number of place settings: 14
The water consumption of the eco programme in liters per cycle:	9.0 l
Programme duration ³ : 4:55 h
Airborne acoustical noise emissions :46 dB(A) re 1pW
Airborne acoustical noise emission class:C
Built-in / Free-standing: Built-in
Height of removable worktop: 0 mm
Required niche size for installation (HxWxD):865-925 x 600 x 550 mm
Depth with open door 90 degree: 1200 mm
Adjustable feet: Yes - all from front
Maximum adjustability feet: 60 mm
Adjustable plinth: Both horizontal and vertical
Net weight:35.3 kg
Gross weight: 37.1 kg
Connection rating: 2400 W
Fuse protection:10 A
Voltage: 220-240 V
Frequency: 50; 60 Hz
Length electrical supply cord: 175 cm
Plug type: GB plug
Length inlet hose: 165 cm
Length outlet hose: 190 cm
EAN code:4242005535361
Installation typology: Integrated

Optional accessories

SGZ0CL01	door lock mechanical, straight
SGZ1010	inlet and outlet hose extension
SGZ8BI00	Connection rail for divided furniture
SMZ5100	Vario-cutlery basket
SMZ5300	GlassSecure Tray



¹ Scale of Energy Efficiency Classes from A to G
² Energy consumption in kWh per 100 cycles (in programme Eco 50 °C)
³ Duration of programme Eco 50 °C

Series 4, Fully-integrated dishwasher, 60 cm, , Variable hinge SBH4HVX14G

Flexible loading and smart remote control of your VarioHinge dishwasher via the Home Connect app. VarioHinge the perfect solution for installations with low plinth heights and high built-in situations.

- Energy Efficiency Class¹: C
- Energy² / Water³: 75 kWh / 9 litres
- Capacity: 14 place settings
- Programme duration⁴: 4:55 (h:min)
- Noise level: 46 dB(A) re 1 pW
- Noise Efficiency Class: C
- Noise level (silence programme): 45 dB(A) re 1 pW

Performance

- 6 programmes: Eco 50 °C, Auto 45-65 °C, Intensive 70 °C, Express 65°, Silence 50 °C, Favourite
- Default favourite programme: Pre-Rinse
- 4 special options: Remote Start, Extra Dry, Half Load, SpeedPerfect+
- Machine Care
- Add-On functions via Home Connect app: Hygiene+, Silence on Demand

Innovations and technology

- Heat exchanger - Hygienic and efficient drying
- AquaSensor III
- DosageAssist detergent dispenser
- EcoSilence BLDC drive
- Self-cleaning filter system with 3 piece corrugated filter
- Stainless steel/Polinox interior

Programmes / functions

- Vario Flex baskets
- VarioDrawer - loading of cutlery on 3rd level
- 3 stage Rackmatic height-adjustable top basket
- Low friction wheels on bottom basket
- Rack Stopper to prevent derailing of bottom basket
- 2 foldable plate racks in top basket
- 4 foldable plate racks in bottom basket
- Upper rack cup shelf

Design features

- Home Connect ready on WLAN
- Push button top edge controls
- English GB
- InfoLight (Red) - Light projection on the floor
- Acoustic end of cycle indicator, Time remaining indicator (min), water inlet indicator
- Acoustic end of cycle indicator
- Time delay (3, 6 or 24 hours)

Flexible design elements

- AquaStop: Bosch's warranty in case of water damage - for the

lifetime of the appliance. Please find warranty terms under <https://www.bosch-home.co.uk/customer-service/care-protection-and-parts/additional-warranties>

- VarioHinge 50mm
- AquaMix - Glass protection system
- incl. Steam protection for worktop
- Dimensions (HxWxD): 86.5 x 59.8 x 55cm

¹ Scale of Energy Efficiency Classes from A to G

² Energy consumption in kWh per 100 cycles (in programme Eco 50 °C)

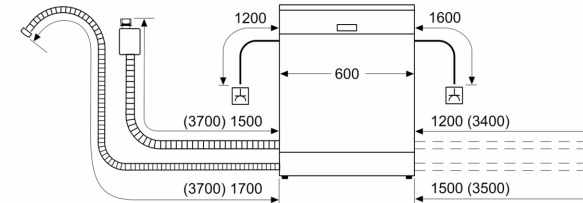
³ Water consumption in litres per cycle (in programme Eco 50 °C)

⁴ Duration of programme Eco 50 °C

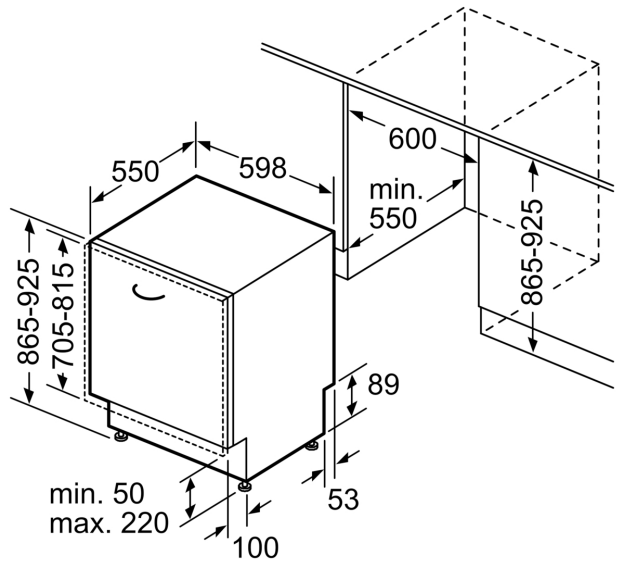
* Please find warranty terms under <https://www.siemens-home.bsh-group.com/uk/customer-service/warranty/additional-warranties>

Series 4, Fully-integrated dishwasher, 60 cm, , Variable hinge SBH4HVX14G

measurements in mm



⌚ socket
() values with extension kit



measurements in mm