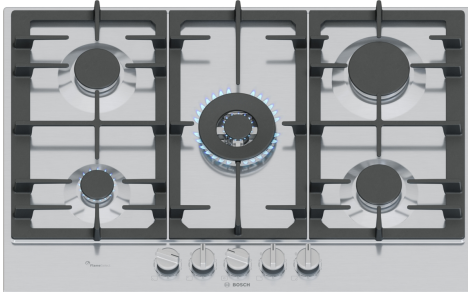


**Series 6, Gas hob, 75 cm, Stainless steel
PCQ7A5I90**



The gas hob with precise flame control and easy cleaning thanks to detachable metallic knobs and dishwasher suitable cast iron pan supports.

- **Flame Select:** Enjoy precise control of the flame.
- **Easy cleaning:** detachable dials and dishwasher-suitable pan supports make cleaning a breeze.
- **Continuous cast-iron pan support:** for high firmness and stability of cookware.
- **Dual flame power burner delivers two heat options, from full power heat-up to delicately low simmer.**
- **Safety gas cut-off:** ensures safety by instantly cutting off gas supply if the flame goes out.

Optional accessories

HEZ298105	Simmer plate
HEZ298107	Wok ring
HEZ298114	Small pot support
HEZ32WA00	Wireless food thermometer
HEZ9SE040	4 pieces Set
HEZ9SE060	6 pieces Set

Technical Data

Appliance type: gas hob w integrated controls
 Built-in / Free-standing: Built-in
 Heating type: Gas
 Number of cooking zones: 5
 Required niche size for installation (HxWxD): 45 x 560-560 x 480-490 mm
 Width of the appliance: 750 mm
 Dimensions: 51.5x750x520 mm
 Dimensions of the packed product (HxWxD): 150 x 800 x 600 mm
 Net weight: 14.2 kg
 Gross weight: 16.1 kg
 Residual heat indicator: Separate
 Location of control panel: Front
 Basic surface material: Stainless steel
 Color of surface: Stainless steel
 Length electrical supply cord: 100.0 cm
 EAN code: 4242005437849
 Gas connection rating: 11500 W
 Fuse protection: 3 A
 Voltage: 220-240 V
 Frequency: 50; 60 Hz



Series 6, Gas hob, 75 cm, Stainless steel PCQ7A5I90

The gas hob with precise flame control and easy cleaning thanks to detachable metallic knobs and dishwasher suitable cast iron pan supports.

Design

- Stainless steel surface
- Cast iron pan supports
- full metal

Usage convenience

- FlameSelect: precisely control and adjust the flame in nine defined levels.
- Design co-ordinated control dials, front: easily access dials in front with strong grip for effortless turning.
- Ignition via control dials: just push and turn the dials to ignite the flame.

Burners and power

- 5 gas burners:
- Left front: economy burner up to 1 kW (depending on gas type)
- Left rear: Standard burner up to 1.75 KW (depending on gas type)
- Center front: wok burner up to 4 KW (depending on gas type)
- Right rear: high-speed burner up to 3 KW (depending on gas type)
- Right front: standard burner up to 1.75 KW (depending on gas type)

Cleaning

- Removable control dials for easy cleaning between knobs.
- Dishwasher suitable pan supports for easy cleaning.

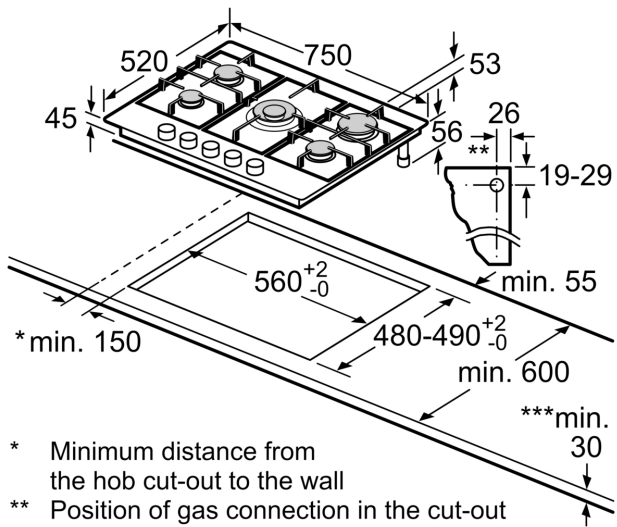
Safety

- Flame failure safety device: prevents unwanted gas flow when flame goes out.

Installation (gas types & measurements)

- Usable for: Nat gas L/LL G25/20mbar(DE)
- NG H/E 20mbar, E+ 20/25mbar Natural gas H 25 mbar (HU) Natural gas L 25 mbar (NL) Liquid gas G30,31 28-30/37mbar Liquid gas G30 37 mbar (PL) Liquid gas 50 mbar
- Pre-set for natural gas
- Nozzle set for LPG jets included. Connection to 28-30/37 mbar bottled gas. Nozzles for all other gas types can be ordered via the customer service. For nozzle change, please contact the customer service.
- Dimensions of the product (HxWxD mm): 51.5 x 750 x 520
- Required niche size for installation (HxWxD mm) : 45 x 560 x (480 - 490)
- Min. worktop thickness: 20 mm
- Power cord: 1 m
- Connected load: 11.5 KW

Series 6, Gas hob, 75 cm, Stainless steel
PCQ7A5I90



- * Minimum distance from the hob cut-out to the wall
 - ** Position of gas connection in the cut-out
 - *** With fitted oven underneath, possibly more; see space requirements for the oven
- measurements in mm