

**iQ500, Freestanding wine cooler,  
186 x 60 cm  
KW36KATGA**



Premium design freestanding wine cabinet with two temperature zones for perfect wine storage within a range from 7°C to 19°C.

- ✓ Oak shelves: exuding class, while taking caring of your wine.
- ✓ The glassDoor series brings effortless elegance to your kitchen.
- ✓ Two separately controlled temperature zones for optimal wine storage – dual temperature zones.
- ✓ Oak shelves: a touch of elegance for your wine fridge.
- ✓ Oak shelves, one with telescopic rails: sophisticated wine storage.

Energy Efficiency Class: .....	G
Average annual energy consumption in kilowatt hour per year (kWh/a): .....	155 kWh/annum
Capacity of 75 cl bottles: .....	199
Airborne acoustical noise emissions : .....	38 dB(A) re 1pW
Airborne acoustical noise emission class: .....	C
Built-in / Free-standing: .....	Freestanding
Door panel options: .....	Not possible
Height: .....	1860 mm
Width of the appliance: .....	600 mm
Dimensions: .....	610 mm
Weight: .....	92.4 kg
Fuse protection: .....	10 A
Interior ventilator: .....	Yes
Nominal power: .....	220-240 V
Frequency: .....	50-60 Hz
Length electrical supply cord: .....	230.0 cm
Plug type: .....	Gardy plug w/ earthing
Number of compressors: .....	1
Number of independent cooling systems: .....	2
Reversible Door Hinge: .....	Yes
Interior light switch: .....	No
EAN code: .....	4242003869635
Brand: .....	Siemens
Product name / Commercial code: .....	KW36KATGA
Product category: .....	Multi-temperature winecooler



## iQ500, Freestanding wine cooler, 186 x 60 cm KW36KATGA

### Performance and Consumption

#### Functions

- Upright fridge

#### Design features

- Optical and acoustical door open warning system
- Interior ventilator
- Automatic defrost in fridge section

#### Key features - Fridge section

- Ventilation in plinth, the plinth size can be varied
- Door aperture angle 115°
- Right hinged door, door reversible

#### Dimension and installation

- Dimensions: 186 cm H x 60 cm W x 61 cm D

#### Country Specific Options

- Based on the results of the standard 24-hour test. Actual consumption depends on usage/position of the appliance.
- This appliance is intended to be used exclusively for the storage of wine

#### Key features - Freezer section

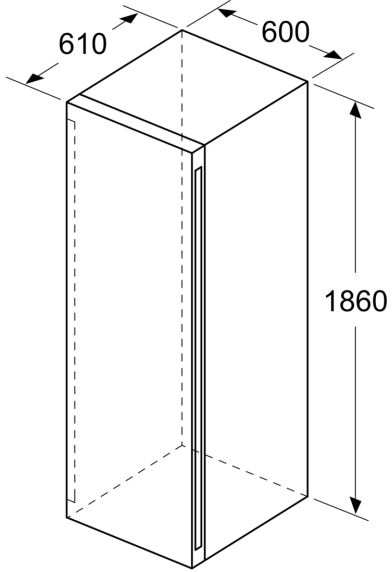
#### Additional features

#### Design features

- EU19\_EEK\_D: G
- Total Volume : 370 l
- Annual Energy Consumption: 155 kWh/a
- Climate Class: SN-ST
- Noise Level : 38 dB , EU19\_Noise emission class\_D: C
- Illumination fridge: LED with Soft Start
- Number of Temperature Zones: 2
- Temperature range: 7-19 °C
- Child lock

iQ500, Freestanding wine cooler,  
186 x 60 cm  
KW36KATGA

measurements in mm



measurements in mm

