

iQ500, Free-standing fridge, 186 x 60 cm, Brushed black steel antiFingerprint KS36VAXEP



Refrigerator with hyperFresh plus to keep fruit and vegetables fresh for longer and softStart LED light for brilliant fridge interior illumination.

- ✓ hyperFresh plus: keeps fruit and vegetables fresher for longer.
- ✓ LED light – Even lighting throughout the inside of your fridge to keep everything in view.
- ✓ bottleRack – Store your bottles safely and within easy reach.
- ✓ superCooling: faster cooling for fresh food.
- ✓ safetyGlass shelves – Extra strong and easy to clean.

Features

Technical Data

Energy Efficiency Class¹: E
 Average annual energy consumption in kilowatt hour per year (kWh/a): 116 kWh/annum
 Sum of volume of frozen compartments: 0 l
 Sum of volume of chill compartments: 346 l
 Airborne acoustical noise emissions : 39 dB(A) re 1pW
 Airborne acoustical noise emission class: C
 Built-in / Free-standing: Freestanding
 Door panel options: Not possible
 Height: 1860 mm
 Width of the appliance: 600 mm
 Dimensions: 650 mm
 Weight: 67.1 kg
 Fuse protection: 10 A
 Door opening: Left reversible
 Nominal power: 220-240 V
 Frequency: 50 Hz
 Length electrical supply cord: 230 cm
 Number of compressors: 1
 Number of independent cooling systems: 1
 Interior ventilator: Yes
 Reversible Door Hinge: Yes
 Number of Adjustable Shelves in fridge compartment: 4
 Shelves for Bottles: Yes
 EAN code: 4242003875865
 Brand: Siemens
 Product name / Commercial code: KS36VAXEP
 Product category: Upright fridge
 Installation type: Freestanding



Optional accessories

KS39ZAX00 Connection set cast iron

¹ Scale of Energy Efficiency Classes from A to G

iQ500, Free-standing fridge, 186 x 60 cm, Brushed black steel antiFingerprint KS36VAXEP

Features

Functions

- Black steel - anti-fingerprint finish doors and cast iron side panels
- Brushed aluminium vertical door handle
- Bright interior LED fridge light
- Interior design with metal applications

Design features

- Electronic LED display
- vitaControl - constant temperature by intelligent sensor technology - Constant temperature control by intelligent sensor technology
- Super Cooling: automatic deactivation
- Acoustic open door warning system

Design features

- Interior ventilator
- without
- Automatic defrost in fridge section
- 7 removable safety glass shelves of which 4 are easy pull out
- Bottle rack
- 5 door bins, including 1 with easyLift door tray and 1 dairy compartment in door

Freshness System

- 1 hyperFresh plus box with adjustable humidity - keeps fruit and vegetables fresh for longer.
- 1 x humidity controlled vegetable/salad drawer on telescopic rails

Dimension and installation

- Dimensions: 186 cm H x 60 cm W x 65 cm D

Key features - Fridge section

- Left hinged, door reversible
- Height adjustable front feet
- Door opening: No side clearance needed at all. Full access to all drawers, door opening angle 90°.
- Transportation handles
- 220 - 240 V

Key features - Freezer section

Included accessories

Country Specific Options

- Based on the results of the standard 24-hour test. Actual consumption depends on usage/position of the appliance.
- To achieve the declared energy consumption, the attached distanceholders have to be used. As a result, the appliance depth increases by about 3.5 cm. The appliance used without the distance holder is fully functional, but has a slightly higher energy consumption.

Design features

Dimension and installation

Additional features

Performance and Consumption

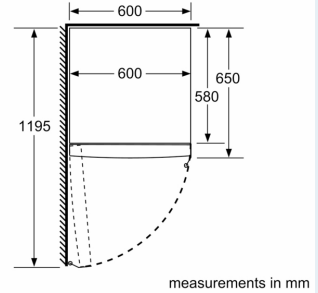
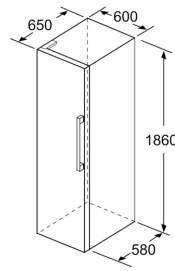
- EU19_EEK_D: E
- Total Volume : 346 l
- Net Fridge Volume : 346 l
- Net Freezer Volume : 0 l
- Annual Energy Consumption: 116 kWh/a
- Climate Class: SN-T
- Noise Level : 39 dB , EU19_Noise emission class_D: C

iQ500, Free-standing fridge, 186 x 60 cm, Brushed black steel antiFingerprint KS36VAXEP

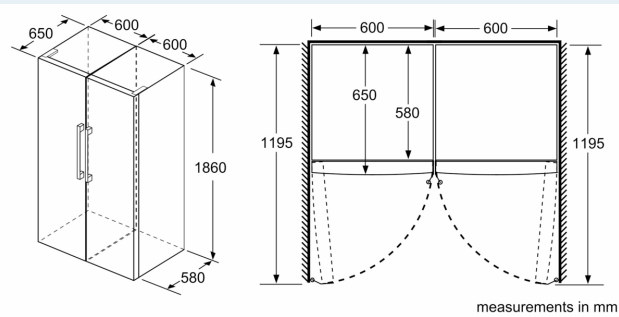
Dimensioned drawings

	a	b	c	d	e	f
KSW36, GSD36	187					
KSV36, KSF36, GSN36, GSV36	186					
KSV33, GSN33, GSV33	176	60	65	58	60	119.5
KSV29, GSN29, GSV29	161					
GSV24	146					
GSN51	161					
GSN54	176	70	78	70	70	142
GSN58	191					

- a Height
 - b Width
 - c Depth with closed door w/o handle and w/o distance part
 - d Depth of cabinet w/o distance part
 - e Width with open door w/o handle
 - f Depth with open door w/o handle w/o distance part
- measurements in cm



measurements in mm



measurements in mm