

KMDA 7272 FR-U Silence

Induction hob with integrated vapour extraction

with Silence motor and 4 individual cooking zones for recirculation mode



- The quietest TwoInOne from Miele – Silence motor
- Flexible installation – ducted recirculation (e.g. with DFKS-UR) or Plug & Play
- Ample space – 4 round cooking zones
- Automatic fan power regulation – Con@ctivity
- Compact control using the numerical display – ComfortSelect Plus

EAN: 4002516658054 / Material number: 12246260 /
Old Material Number: 26727209GB

General information	
Model identifier	KMDA 7272 FR-U Silence
Manufacturer material number	12246260
EAN number	4002516658054
Construction type	
Induction hob with integrated vapour extraction	•
Operating modes	
Recirculation air guided with optional accessories	DFK-xxx,DUU 1500,DUU 600
Unguided recirculation air (Plug&Play installation)	•
Design	
Elegant glass ceramic surface	•
Frameless – surface-mounted	•
Ceramic surface colour	Black
Stainless-steel frame	•
Flush fit extractor	•
Colour of cover grille	Black
Cooking zone details	
Number of cooking zones	4
Maximum number of pans	4
1st cooking zone/cooking area	
Position	front left
Type	Dual-circuit ring
Size in mm	Ø 110-220
Max. rating in W	2300
Max. Booster power rating in W	3000
2nd cooking zone/cooking area	
Position	rear left
Type	Dual-circuit ring
Size in mm	Ø 100-190
Max. rating in W	1400
Max. Booster power rating in W	2100
3rd cooking zone/cooking area	
Position	rear right
Type	Dual-circuit ring
Size in mm	Ø 110-220
Max. rating in W	2300
Max. Booster power rating in W	3000
4th cooking zone/cooking area	
Position	front right
Type	Dual-circuit ring
Size in mm	Ø 100-190
Max. rating in W	1400
Max. Booster power rating in W	2100
User convenience	
Con@ctivity	•
Digital power level display	•
Operation via sensor controls	ComfortSelect Plus

KMDA 7272 FR-U Silence

Induction hob with integrated vapour extraction
with Silence motor and 4 individual cooking zones for recirculation mode



EAN: 4002516658054 / Material number: 12246260 /
Old Material Number: 26727209GB

Display colour	Yellow
Permanent pan recognition	•
Run-on time 5/15 min.	•
Active charcoal filter saturation indicator	•
Stop & Go function	•
Recall function	•
Grease filter saturation indicator	•
Minute minder	•
Safety switch-off	•
Auto heat-up	•
Keeping warm	•
Individual setting options (e.g. buzzers)	•
Easy-to-clean canopy interior – CleanCover	•
Efficiency and sustainability	
ECO motor	•
Cleaning and care	
Easy to clean ceramic glass	•
Filter system	
Number of dishwasher-safe stainless steel grease filters (10-ply)	1
Recirculation	
Air throughput at min. level (m ³ /h) according to EN 61591	145
Air throughput at max. level (m ³ /h) according to EN 61591	465
Air throughput in Booster level 1 (m ³ /h) according to EN 61591	510
Sound power at min. level (dB(A) re 1 pW) according to EN 60704-3	47.0
Sound power at max. level (dB(A) re 1 pW) according to EN 60704-3	68.0
Sound power in Booster level 1 (dB(A) re 1 pW) acc. to EN 60704-3	70.0
Sound pressure at min. level (dB(A) re 20 µPa) according to EN 60704-2-13	34.0
Sound pressure at max. level (dB(A) re 20 µPa) according to EN 60704-2-13	55.0
Sound pressure in Booster level 1 (dB(A) re 20 µPa) acc. to EN 60704-2-13	57.0
Safety	
Safety switch-off	•
Lock function	•
System lock	•
Integrated cooling fan	•
Overheating protection	•
Residual heat indicator	•
Technical data	
Dimensions in mm (width)	800
Dimensions in mm (height)	194
Dimensions in mm (depth)	520
Casing height incl. connection box in mm	194

KMDA 7272 FR-U Silence

Induction hob with integrated vapour extraction
with Silence motor and 4 individual cooking zones for recirculation mode



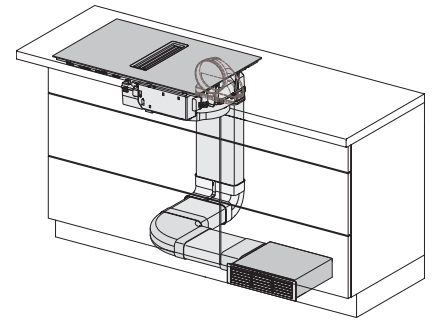
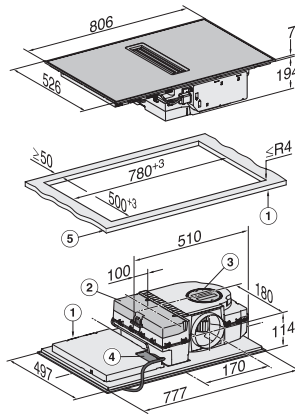
EAN: 4002516658054 / Material number: 12246260 /
Old Material Number: 26727209GB

Cutout dimensions in mm (width) with surface-mounted installation	780 mm
Cutout dimensions in mm (depth) with surface-mounted installation	500 mm
Weight in kg	16
Total rated load in kW	7.50
Voltage in V	230
Frequency in Hz	50-60
Length of supply lead in m	1.6
Accessories included	
Mains cable	Yes
Active charcoal filter DKF 35-P	•
Plug&Play adapter	•

KMDA 7272 FR-U Silence

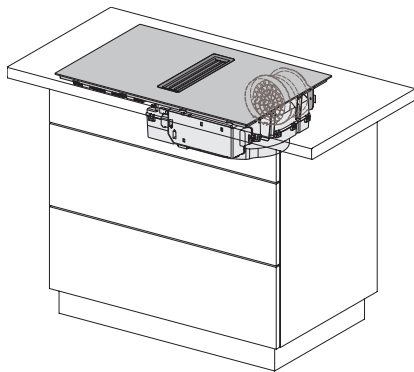
Induction hob with integrated vapour extraction
with Silence motor and 4 individual cooking zones for recirculation mode

	Abluftbetrieb	Geführter Umluftbetrieb	Plug&Play-Betrieb
KMDA 7272 FR-A	✓	–	–
KMDA 7272 FR-U	–	✓	✓/✓
KMDA 7272 FL-A	✓	–	–
KMDA 7272 FL-U	–	✓	✓/✓



KMDA7272-1FL/FR, KMDA7272FL/FR – Operating options

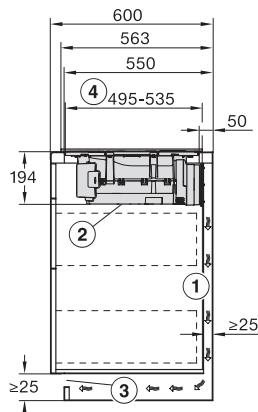
☐ Possible, ☑ Possible – further accessories necessary, – Programming must be changed – further accessories necessary



KMDA7272-1FL/FR, KMDA7473-1FL/FR, KMDA7272FL/FR, KMDA7473FL/FR, Plug&Play

KMDA7272-1FR, KMDA7272FR, KMDA7473FR

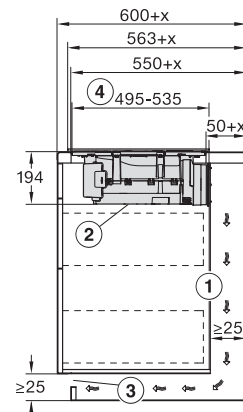
1) Front, 2) removable drip tray, 3) cleaning flap, 4) Mains connection box with mains connection cable, L = 1600 mm, 5) Worktop thickness, Exhaust air and guided recirculation mode: ≥ 10 mm, Plug&Play operation: ≥ 10 mm – ≤ 40 mm



KMDA7272-1FR, KMDA7473-1FR, KMDA7272FR, KMDA7473FR – Side view lying on top, Plug&Play

☑ When routing the exhaust air between the cabinet wall and an adjacent room wall or an adjacent piece of furniture, a minimum distance of 25 mm must be observed., ☑ The removable collection tray and the cleaning flap must be accessible after installation., ☑ The cross-section of the vent opening must be at least 425 cm²., ☑ Distance from the front of the lower box to the end of the plug & play adapter

KMDA7272-1FL/FR, KMDA7473-1FL/FR, KMDA7272FL/FR, KMDA7473FL/FR, Air circulation

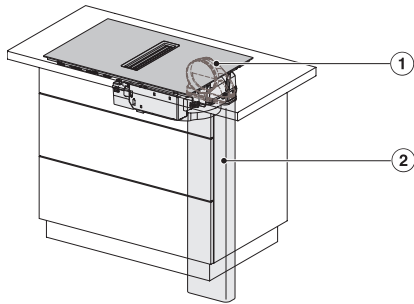


KMDA7272-1FR, KMDA7473-1FR, KMDA7272FR, KMDA7473FR – Side view lying on top+X, Plug&Play

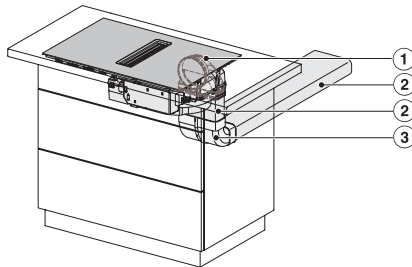
☑ When routing the exhaust air between the cabinet wall and an adjacent room wall or an adjacent piece of furniture, a minimum distance of 25 mm must be observed. If the carcass rear wall is > 555 mm from the worktop front, the Plug&Play adapter must be extended with a supplementary set from Miele., ☑ The removable drip tray and the cleaning flap must be accessible after installation., ☑ The cross-section of the vent opening must be at least 425 cm²., ☑ Distance from the front of the lower box to the end of the plug & play adapter, , x Dimension by which the worktop depth is greater than 600 mm.

KMDA 7272 FR-U Silence

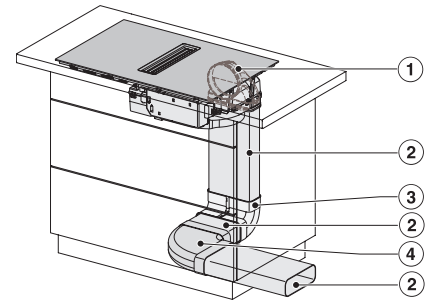
Induction hob with integrated vapour extraction
with Silence motor and 4 individual cooking zones for recirculation mode



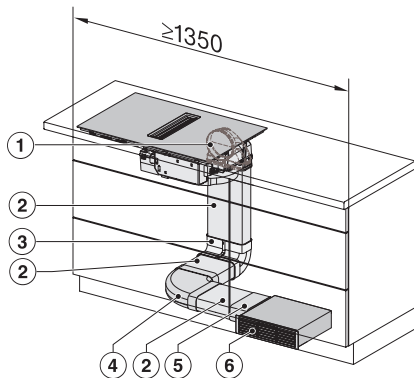
KMDA7272-1FL/FR, KMDA7473-1FL/FR, KMDA7272FL/FR, KMDA7473FL/FR – Installation variant 1 Basis
1) DFK-AK 90, 2) DFK-R 1000



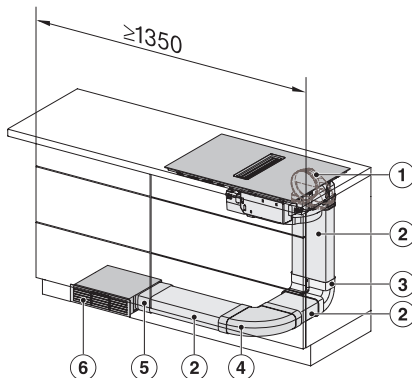
KMDA7272-1FL/FR, KMDA7473-1FL/FR, KMDA7272FL/FR, KMDA7473FL/FR – Installation variant 2 Basis
1) DFK-AK 90, 2) DFK-R 1000, 3) DFK-BV 90



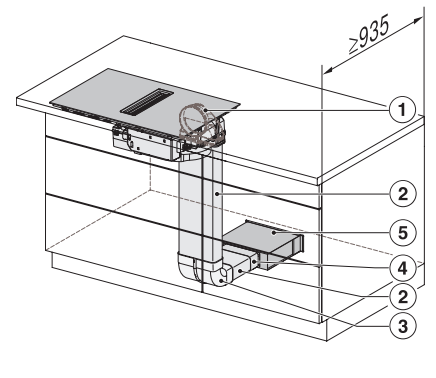
KMDA7272-1FL/FR, KMDA7473-1FL/FR, KMDA7272FL/FR, KMDA7473FL/FR – Installation variant 3 Basis
1) DFK-AK 90, 2) DFK-R 1000, 3) DFK-BV 90, 4) DFK-BH 90



KMDA7272-1FL/FR, KMDA7473-1FL/FR, KMDA7272FL/FR, KMDA7473FL/FR – Installation variant 4 Circulating air
1) DFK-AK 90, 2) DFK-R 1000, 3) DFK-BV 90, 4) DFK-BH 90, 5) DFK-V, 6) DUU 1500, The minimum width of the cabinet is 1350 mm.



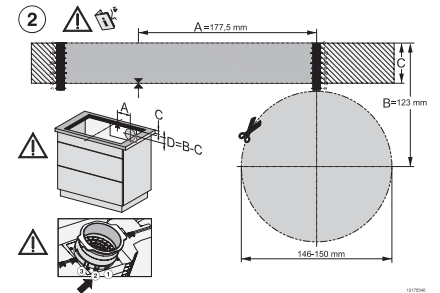
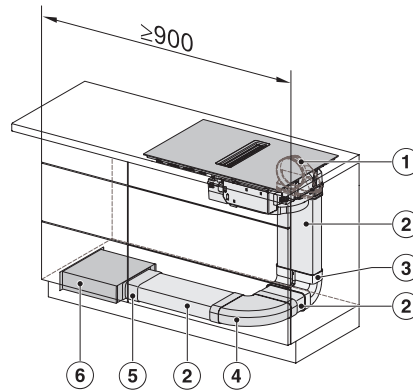
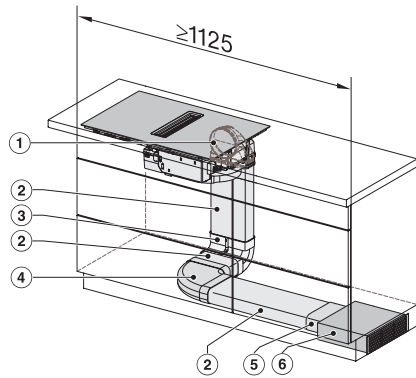
KMDA7272-1FL/FR, KMDA7473-1FL/FR, KMDA7272FL/FR, KMDA7473FL/FR – Installation variant 5 Circulating air
1) DFK-AK 90, 2) DFK-R 1000, 3) DFK-BV 90, 4) DFK-BH 90, 5) DFK-V, 6) DUU 1500, The minimum width of the cabinet is 1350 mm.



KMDA7272-1FL/FR, KMDA7473-1FL/FR, KMDA7272FL/FR, KMDA7473FL/FR – Installation variant 6 Circulating air
1) DFK-AK 90, 2) DFK-R 1000, 3) DFK-BV 90, 4) DFK-V, 5) DUU 1500, The minimum depth of the cabinet is 935 mm.

KMDA 7272 FR-U Silence

Induction hob with integrated vapour extraction
with Silence motor and 4 individual cooking zones for recirculation mode



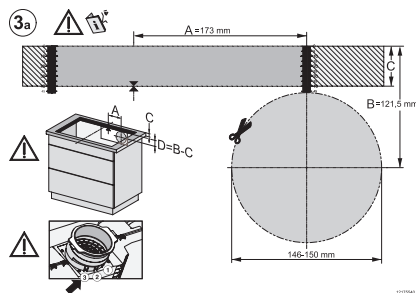
KMDA7272-1FL/FR, KMDA7473-1FL/FR, KMDA7272FL/FR, KMDA7473FL/FR – Installation variant 13 Circulating air

1) DFK-AK 90, 2) DFK-R 1000, 3) DFK-BV 90, 4) DFK-BH 90, 5) DFK-V, 6) DUU 1500, , The minimum width of the cabinet is 1125 mm.

KMDA7272-1FL/FR, KMDA7473-1FL/FR, KMDA7272FL/FR, KMDA7473FL/FR – Installation variant 14 Circulating air

1) DFK-AK 90, 2) DFK-R 1000, 3) DFK-BV 90, 4) DFK-BH 90, 5) DFK-V, 6) DUU 1500, , The minimum width of the cabinet is 900 mm.

KMDA7272FL/FR, KMDA7473FL/FR – surface installation, drilling template



KMDA7272FL/FR, KMDA7473FL/FR – surface installation, 21 cm, drilling template