

H 7140 BM

Compact microwave combination oven

with an attractive stainless steel design, automatic programmes and combi modes.



- Clear text display with sensor controls – DirectSensor S
- Easy cleaning – compartment with PerfectClean & linen structure
- Faster and more consistent results – Quick & Gentle
- Network-enabled WiFi appliance – Miele@home
- Get what you want in one easy step – Quick MW and Popcorn button

EAN: 4002516158387 / Material number: 11093410 /
Old Material Number: 22714046GB

General information	
Model identifier	H 7140 BM
Manufacturer material number	11093410
EAN number	4002516158387
Marketing class	Gold
Construction type and design	
ContourLine	•
Appliance type and design	
Compact microwave combination oven	•
3 in 1	Oven, Microwave, Oven with microwave function
Appliance colour	Stainless steel/Clean Steel
Convenience features	
Quick & Gentle	•
Rapid heat-up	•
Operating modes	
Defrosting	•
Auto roast	•
Fan plus	•
Microwave	•
Microwave + Grill	•
Microwave + Fan plus	•
Microwave + Fan grill	•
Fan grill	•
Microwave with Auto roast	•
Grill	•
Eco fan heat	•
Automatic programmes	•
User convenience	
Networking with Miele@home	•
Display	DirectSensor S
SoftOpen	•
SoftClose	•
MultiLingua	•
Popcorn function	•
Time of day display	•
Clock synchronisation	•
Minute minder	•
Programmable start of cooking duration	•
Programmable end of cooking duration	•
Programmable cooking duration	•
Actual temperature display	•
Target temperature display	•
Buzzer when desired temperature is reached	•
Recommended temperature	•
Recommended microwave power	•
Quick microwave	•
Individual settings	•

H 7140 BM

Compact microwave combination oven

with an attractive stainless steel design, automatic programmes and combi modes.



EAN: 4002516158387 / Material number: 11093410 /
Old Material Number: 22714046GB

Efficiency	
Power rating in off mode in W	0.3
Power rating in standby mode in W	0.8
Power rating in networked standby in W	2.0
Time until automatic switch to off mode in min	20
Time until automatic switch to standby in min	20
Time until automatic switch to networked standby in min	20
Cleaning and care	
Stainless steel/CleanSteel finish	•
Stainless-steel oven compartment with linen structure and PerfectClean	•
Hinged grill element	•
CleanGlass door	•
Safety	
Appliance cooling system and touch-cool front	•
Safety switch-off	•
System lock	•
Technical data	
Oven compartment volume in l	43
No. of shelf levels	3
Oven light	1 LED spot
Temperatures in °C	30–250
Electronically controlled microwave power	•
Microwave power levels in W	
Niche width min. in mm	560
Niche width max. in mm	568
Niche height min. in mm	450
Niche height max. in mm	452
Niche depth in mm	550
Weight in kg	36.0
Total rated load in kW	2.70
Voltage in V	220-240
Frequency in Hz	50
Fuse rating in A	16
Number of phases	1
Length of mains connection cable in m	2.00
Replacing lamps	Service
Accessories included	
Baking and roasting rack with PerfectClean	1
Glass tray	1

H 7140 BM

Compact microwave combination oven
with an attractive stainless steel design, automatic programmes and combi modes.



EAN: 4002516158387 / Material number: 11093410 /
Old Material Number: 22714046GB

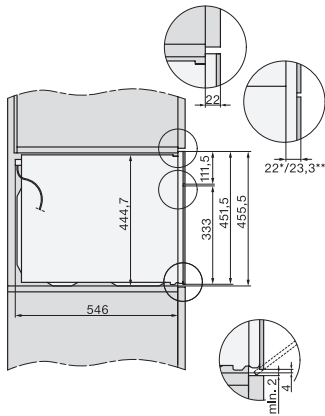
Available display languages

Available display languages via MultiLingua

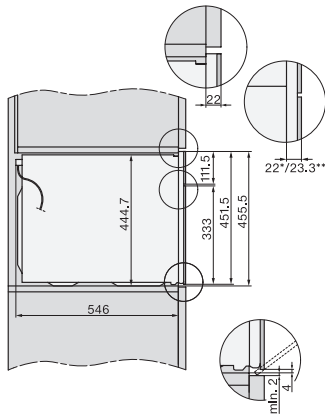
???, ??, ?
???, deutsch, dansk,
english, suomi, français,
ελληνικά, italiano, ???,
????, hrvatski, bahasa
malaysia, nederlands, norsk,
polski, portugês, română,
русский, svenska, srpski,
slovenčina, slovenščina,
español, čeština, türkçe,
українська, magyar

H 7140 BM

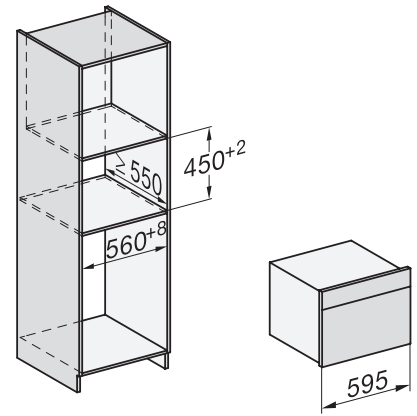
Compact microwave combination oven with an attractive stainless steel design, automatic programmes and combi modes.



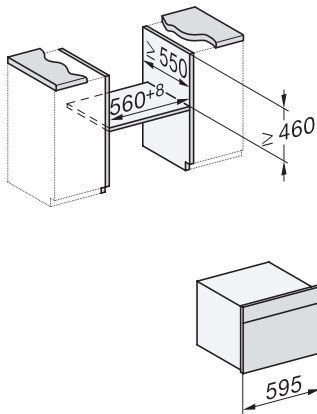
side view H7000 BM, installation drawings
22 mm – glass, 23,3 mm – metal



side view H7000 BM, installation drawings, GB, AUS
22 mm – glass, 23,3 mm – metal

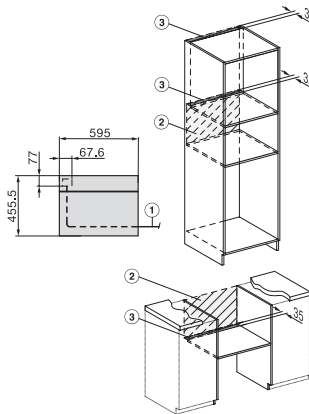


built-in H7000 BM, installation drawing



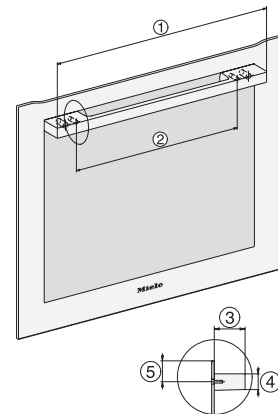
built-in H7000 BM build-under, installation drawings

If the oven is to be installed under a hob, follow the instructions for installing the hob and the height of the hob.



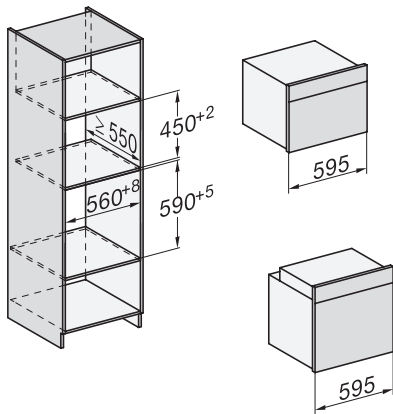
Installation H7000BM, installation drawings, GB, AUS

1) Mains connection cable, L=2000 mm, 2) No connection in this area, 3) Lüftungsausschnitt min. 150 cm²

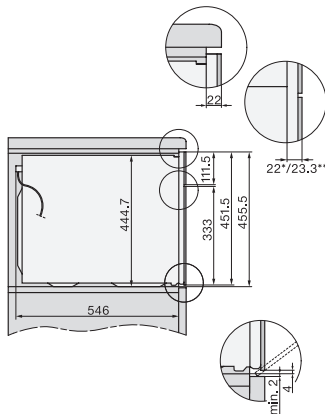


DG2740, DG7140, DGM7340, H2760B/BP, H7140BM, H7x64B/BP, H7x60B/BP installation drawings

1) 474 mm, 2) 360 mm, 3) 43 mm, 4) 22,5 mm, 5) 53.75 mm

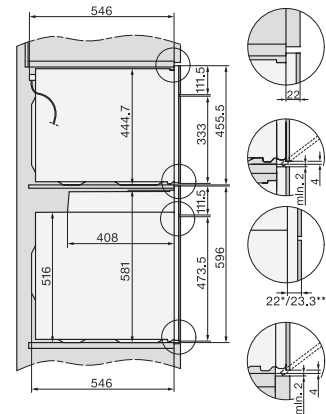


Installation H7000 BM XL, installation drawings



side view H7000 BM build-under, installation drawing, GB, AU

22 mm – glass, 23,3 mm – metal

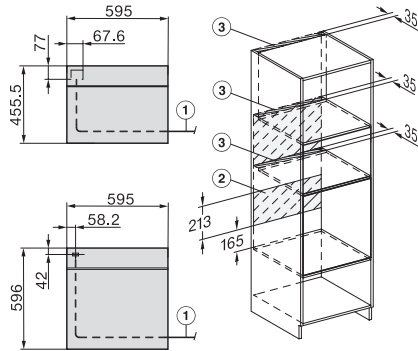


Side view Kombi BM XL, installation drawings

22 mm – glass, 23,3 mm – metal

H 7140 BM

Compact microwave combination oven
with an attractive stainless steel design, automatic programmes and combi modes.



Installation Kombi BM XL, installation drawings

22 mm – glass, 23,3 mm – metal