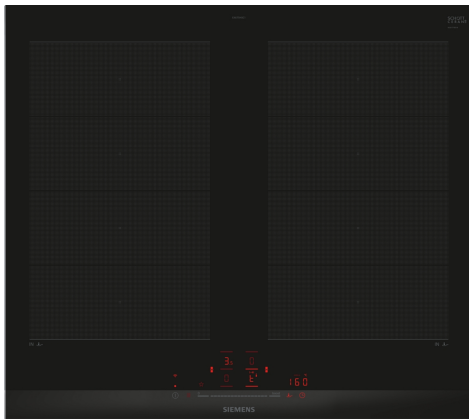


iQ700, Induction hob, 60 cm, surface mount with frame EX675HXC1E



The intelligent flexInduction hob – for greater flexibility when cooking and endless opportunities connected by Home Connect.

- ✓ flexInduction – Smart cooking zone that adapts to your cookware.
- ✓ touchSlider: control the power level with a touch of your finger.
- ✓ fryingSensor Pro: great cooking, without the burning.
- ✓ Intelligent hood automatic – Hob and hood interaction for extra convenience.
- ✓ Home Connect: integrate your hob into your intelligent kitchen.

Features

Technical Data

Product name/family: Cooking zone ceramic
 Built-in / Free-standing: Built-in
 Source of energy: Electric
 Number of cooking zones: 4
 Required niche size for installation (HxWxD): 51 x 560-560 x 490-500 mm
 Width of the appliance: 602 mm
 Dimensions: 51x602x520 mm
 Dimensions of the packed product (HxWxD): 130x750x600 mm
 Weight: 13.8 kg
 Gross weight: 14.9 kg
 Residual heat indicator: Separate
 Location of control panel: Front
 Basic surface material: Ceramic
 Color of surface: Black, Alu, brushed
 Length electrical supply cord: 110 cm
 EAN code: 4242003935545
 Nominal power: 220-240 V
 Frequency: 50; 60 Hz



Optional accessories

HZ32WA00	wireless roastingSensor
HZ390522	Griddle Plate
HZ394301	Connecting strip
HZ9FE280	Iron pan Ø 18 / 28 cm
HZ9FF010	Flex Pan, large
HZ9SE040	4 pieces Set
HZ9SE060	6 pieces Set
HZ9TY010	Teppan Yaki
HZ9FF030	Flex Pan set, 3 pcs.
HZ9FF040	Flex Pan set, 4 pcs.
HZ9SE030	Set of 2 pots and 1 pan

iQ700, Induction hob, 60 cm, surface mount with frame EX675HXC1E

Features

- 60 cm: space for 4 pots or pans.

Flexibility of cooking zones

- 2 flexInduction zones: use cookware of any shape or size anywhere within the 40cm long zone.
- Cooking zone front left: 190 mm, 230 mm, 2.2 KW (max. power 3.7 KW)
- Cooking zone rear left: 190 mm, 230 mm, 2.2 KW (max. power 3.7 KW)
- Cooking zone rear right: 190 mm, 230 mm, 2.2 KW (max power 3.7 KW)
- Cooking zone front right: 190 mm, 230 mm, 2.2 KW (max. power 3.7 KW)

Usage convenience

- Multitouch+: directly control the power with the imprinted touch bar.
- Favourite Button: directly access favourite functions with a configurable button (available with connected Home Connect account).
- 17 power levels: precisely adapt the heat with 17 power levels (9 main levels and 8 intermediate levels).
- Keep warm function: via HC app/MyButton: Keep dishes warm at preset low power level.
- Switch-off timer: switches off the cooking zone at the end of the time set (e.g. for boiled eggs).
- alternative: an alarm sounds at the end of the time set (e.g. for pasta).
- Sound volume adaptable to personal preference and needs.

Time saving & efficiency

- Power boost setting
- : boil water faster thanks to 50% more energy than at the highest standard level.
- panBoost, selectable via Favourite button/Home Connect App (for appliances connected to Home Connect account): heat up pans faster than at the highest standard level while protecting the pan coating.
- Intelligent flexZones: when placing large cookware on the Flex zone, the hob automatically connects two cooking zones into a large continuous one.
- flexMotion: when moving a pot to a different cooking zone, this feature transfers all previous settings to the new zone at the touch of a button.
- Automatic zone selection: when switched on, the hob automatically selects the cooking zone on which a new cookware is placed.
- When moving a pot on the Flex zone, the settings adjust instantly and the cooking zone adapts to the size of the cookware.
- quickStart function: when switching on, the hob automatically selects the cooking zone with cookware (when placed on a zone whilst the hob is off).
- reStart function: in case of unintentional switch-off, this feature restores all previous settings by switching on the hob again within 4 seconds.

Cooking assistance

- fryingSensor Pro: prevents overcooking with the automatic temperature regulation of the integrated sensor.
- Dish assistant: easily find the right temperature setting for a certain dish via the home connect app.

Connectivity

- Home Connect - enables Remote Monitoring no matter where you are, with the easy-to-use Home Connect App: check if the hob is switched off even when not at home, and find recipes or additional functions in the Home Connect app.
- cookConnect - hood control (with Wi-Fi enabled hood): automatically activates the hood when cooking, thanks to the WiFi connection of hob and suitable hood.
- Intelligent hood automatic: hood automatically adapts fan speed thanks to hob continuously providing cooking data (with matching hood and connected Home Connect account).
- Smart home trigger, via Favourite button (available with connected Home Connect account): open up the smart universe from your cooktop (partner service required).
- Updateable appliance (available with connected Home Connect account): keep appliance always up to date with latest status of software. Updateable appliance (available with connected Home Connect account): keep appliance always up to date with latest status of software.

Design

- Stainless Steel side trim with bevelled front edge

Safety

- 2 stage residual heat indicators: indicates which cooking zones are still hot or warm.
- Control panel lock: prevent unintended activation of the hob.
- Pause function: pause the heating process, e.g to answer the door.
- Main on/off switch: switch off all cooking zones at the touch of a button.
- Automatic safety switch off: for safety reasons, heating stops after a preset time if not used.

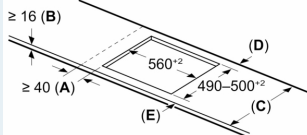
Installation

- Dimensions of the product (HxWxD mm): 51 x 602 x 520
- Required niche size for installation (HxWxD mm) : 51 x 560 x (490 - 500)
- Min. worktop thickness: 16 mm
- Connected load: 7.4 KW
- Connection current management (20, 16, 13, 10 Amps options): limit the maximum power if needed (depends on fuse protection of electric installation).
- Power cord: 1.1 m, Cable included in packaging

iQ700, Induction hob, 60 cm,
surface mount with frame
EX675HXC1E

Dimensioned drawings

Measurements in mm

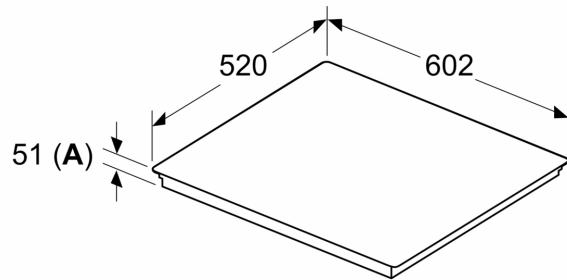


A: Min. distance from the hob cut-out to the wall
 B: The clearance between the surface of the worktop and the top of the front of the oven must be 30 mm
 See space requirements for the oven

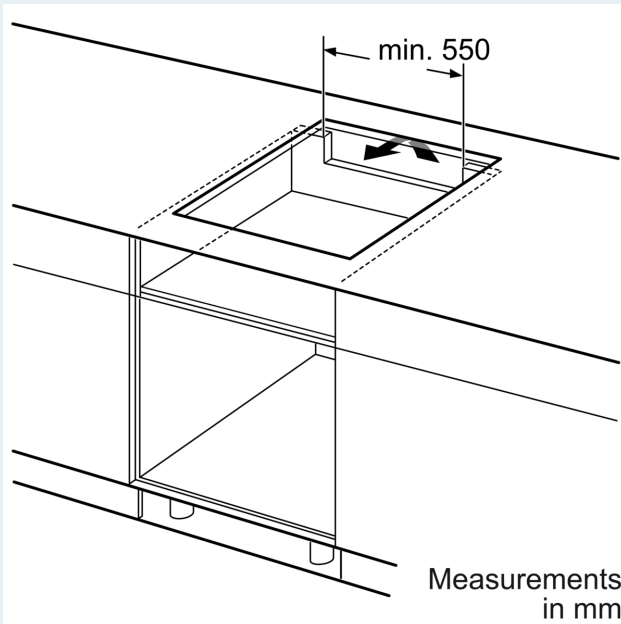
C	D	E
585-600	50	≥ 35
> 600	≥ 50	≥ 50

The worktop into which the hob is installed must withstand loads of approx. 60 kg; suitable substructures must be used if required

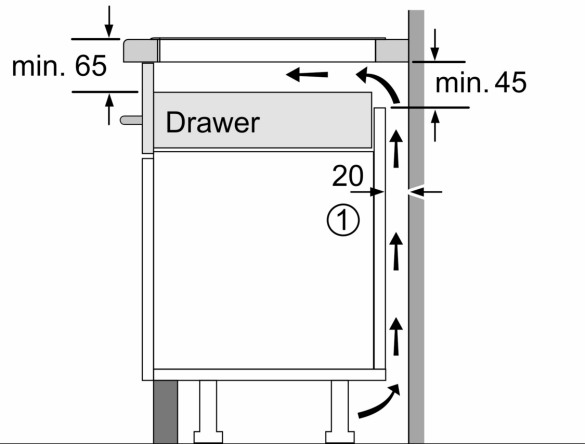
Measurements in mm



A: Recessed depth



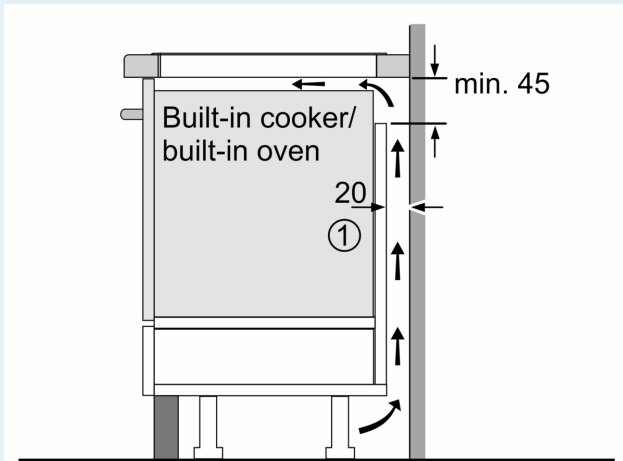
Measurements in mm



① Ventilation gap must be present.

Measurements in mm

Dimensioned drawings



①
Ventilation gap must
be present

All measurements in mm