

**Series 2, Wall-mounted cooker hood,  
60 cm, clear glass black printed  
DWK65DK60B**



DWZ1GK1A2 Standard odor filter (replacement)  
DWZ1GK1U2 Standard recirculation kit

**The Inclined Hood with Touch Select Basic Control and a low noise motor for an odor and noise free kitchen.**

- **Especially silent:** maximum hood performance, minimum noise.
- **Intensive speed setting:** removes strong kitchen odours quickly and effectively.
- **Intensive speed setting with reset:** automatically resets the hood to normal speed setting
- **LED Illumination:** The energy-saving lighting provides bright and clear lighting for the hob area.

Typology: .....Wall-mounted  
 Length electrical supply cord: ..... 150.0 cm  
 Height of the appliance: ..... 325 mm  
 Minimum distance above an electric hob: ..... 450 mm  
 Minimum distance above a gas hob: .....650 mm  
 Net weight: ..... 11.0 kg  
 Type of control: .....Electronic  
 Number of speed settings: ..... 3-stages + intensive setting  
 Max. air extraction: .....430 m<sup>3</sup>/h  
 Boost position output recirculating: .....550.0 m<sup>3</sup>/h  
 Max. air recirculation: ..... 445 m<sup>3</sup>/h  
 Boost position air extraction: ..... 550 m<sup>3</sup>/h  
 Maximum Air flow: .....430 m<sup>3</sup>/h  
 Number of lights: ..... 2  
 Noise level: ..... 60 dB(A) re 1pW  
 Diameter of air outlet: ..... 150 mm  
 Grease filter material: .....Washable aluminium  
 EAN code: ..... 4242005395934  
 Connection rating: ..... 223 W  
 Fuse protection: .....4 A  
 Voltage: ..... 220-240 V  
 Frequency: ..... 50 Hz  
 Plug type: .....GB plug  
 Installation typology: .....Wall-mounted



## Series 2, Wall-mounted cooker hood, 60 cm, clear glass black printed DWK65DK60B

### The Inclined Hood with Touch Select Basic Control and a low noise motor for an odor and noise free kitchen.

#### Planning and Installation Information:

- Dimensions exhaust air (HxWxD): 690-900 x 590 x 325 mm
- Dimensions recirculating (HxWxD): 720-975 x 590 x 325 mm
- Diameter pipe Ø 150 mm (Ø 150 mm enclosed)
- Electrical cable length 1.5 m
- Back-pressure flap: Yes

#### Design:

- Inclined glass common design
- wall-mounted
- Black glass
- Suitable for ducted or recirculating operation
- For recirculated extraction recirculating kit (accessory) needed

#### Core Features:

- Capacitor motor
- 2 x LED lights
- Colour Temperature: 4000 K
- Light Intensity: 127 lux
- 1 metal grease filter(s).

#### Comfort Features:

- Electronic control via TouchControl, backlighted
- 3 power levels & intensive setting
- Automatic reset from intensive to normal setting after 5 min
- Saturation indicator for metal and charcoal filter

#### Cleaning Comfort:

- Large opening angle of the glass plate with locking function for an easy filter accessibility and easy cleaning.
- Easy to clean smooth surfaces and materials.
- Removable metal grease filters dishwasher-safe

#### Performance Exhaust:

- According to EN 61591 and EN/ IEC 60704-2-13 your appliance can achieve the following values in exhaust mode: Speed 1: extraction rate 220 m<sup>3</sup>/h; noise level 46 dB (A) re1pW Speed 2: extraction rate 315 m<sup>3</sup>/h; noise level 53 dB (A) re1pW Speed 3: extraction rate 430 m<sup>3</sup>/h; noise level 60 dB (A) re1pW Intensive 1: extraction rate 550 m<sup>3</sup>/h; noise level 65 dB (A) re1pW

#### Performance Recirculation:

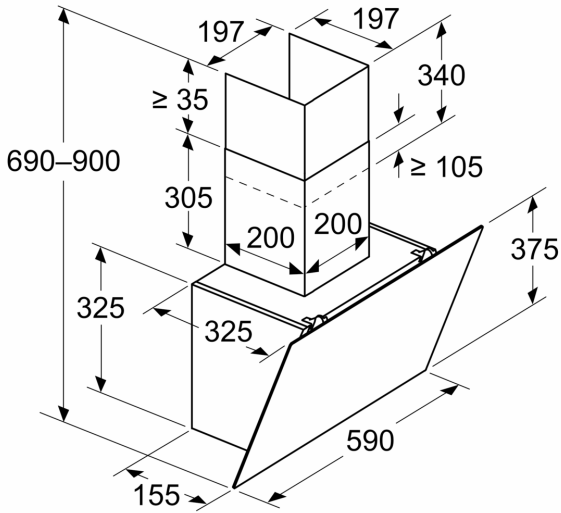
- According to EN 61591 and EN/ IEC 60704-2-13 your appliance can achieve the following values in recirculation mode with standard recirculation kit (available as optional accessory): Speed 1: extraction rate 215 m<sup>3</sup>/h; noise level 51 dB (A) re1pW Speed 2: extraction rate 300 m<sup>3</sup>/h; noise level 61 dB (A) re1pW Speed 3: extraction rate 445 m<sup>3</sup>/h ; noise level 69 dB (A) re1pW Intensive Speed 1: extraction rate 550 m<sup>3</sup>/h; noise level 72 dB (A) re1pW

#### Technical Information and Sustainability:

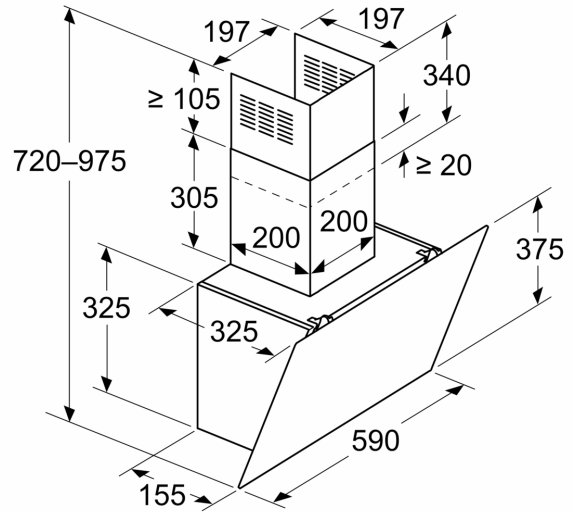
- Consumption data:
- Energy Efficiency Class: A (at a range of energy efficiency classes from A+++ to D)
- Average Energy Consumption: 43.8 kWh/year\*
- Blower Efficiency Class: A\*
- Lighting Efficiency Class: A\*
- Grease Filtering Efficiency Class: E\*
- Power rating: 223 W
- Voltage: Nominal voltage: 220 - 240 V

**Series 2, Wall-mounted cooker hood,  
60 cm, clear glass black printed  
DWK65DK60B**

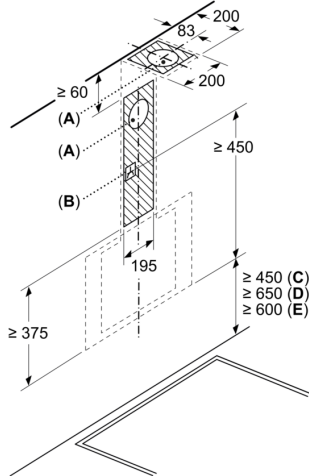
Measurements in mm  
**Appliance in exhaust air mode**



Measurements in mm  
**Appliance in circulated air mode**

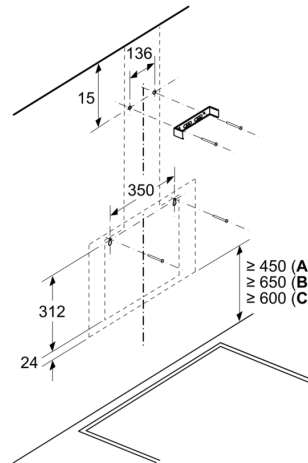


Measurements in mm



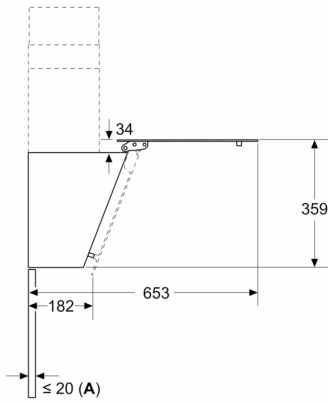
- A: Exhaust-air outlet
- B: Socket
- C: Electric
- D: Gas - from upper edge of pan support
- E: Electric - for Australia and New Zealand

Measurements in mm  
**Wall installation with chimney**



- A: Electric
- B: Gas - from upper edge of pan support
- C: Electric - for Australia and New Zealand

Measurements in mm



A: Max. back wall thickness