

N 30, WALL-MOUNTED COOKER HOOD, 80 CM,  
CLEAR GLASS BLACK PRINTED  
D831DK1S0B



A

The Inclined Hood with low-noise motor and Touch Control for an odor- and noise-free kitchen.

- ✓ Reduced Noise: our optimised motor guarantees a quiet cooking experience.
- ✓ Intensive speed setting: increases the extraction rate when the steam gets intense
- ✓ Touch Control: an integrated flat surface control panel for smooth operation with a fingerswipe.
- ✓ LED Lighting – Clear illumination while you cook.

Z51GIA1X3 Standard odor filter (replacement)  
Z51GIU1X3 Standard recirculation kit

Typology: ..... Wall-mounted  
 Length electrical supply cord: ..... 150.0 cm  
 Height of the appliance: ..... 325 mm  
 Minimum distance above an electric hob: ..... 450 mm  
 Minimum distance above a gas hob: ..... 650 mm  
 Net weight: ..... 11.7 kg  
 Type of control: ..... Electronic  
 Number of speed settings: ..... 3-stages + intensive setting  
 Maximum output air extraction: ..... 430 m<sup>3</sup>/h  
 Boost position output recirculating: ..... 550.0 m<sup>3</sup>/h  
 Maximum output recirculating air: ..... 445 m<sup>3</sup>/h  
 Boost position air extraction: ..... 550 m<sup>3</sup>/h  
 Maximum Air flow: ..... 430 m<sup>3</sup>/h  
 Number of lights: ..... 2  
 Noise level: ..... 60 dB(A) re 1pW  
 Diameter of air outlet: ..... 150 mm  
 Grease filter material: ..... Washable aluminium  
 EAN code: ..... 4242004273332  
 Connection Rating: ..... 223 W  
 Fuse protection: ..... 4 A  
 Voltage: ..... 220-240 V  
 Frequency: ..... 50 Hz  
 Plug type: ..... GB plug  
 Installation typology: ..... Wall-mounted



N 30, WALL-MOUNTED COOKER HOOD, 80 CM,  
CLEAR GLASS BLACK PRINTED  
D831DK1SOB

**Design:**

- Inclined glass common design
- wall-mounted
- Black glass
- Suitable for ducted extraction and recirculation
- For recirculated extraction recirculating kit (accessory) needed

**Core Features:**

- Capacitor motor
- 2 x LED lights
- Colour Temperature: 4000 K
- Light Intensity: 127 lux
- 1 metal grease filter(s).

**Comfort Features:**

- Electronic control via Touch control, backlighted
- 3 speeds plus intensive
- Automatic reset from intensive to normal setting after 5 min
- Saturation indicator for metal and charcoal filter

**Cleaning Comfort:**

- Large opening angle of the glass plate with locking function for an easy filter accessibility and easy cleaning.
- Easy to clean smooth surfaces and materials.
- metal grease filter dishwasher-safe

**Performance Exhaust:**

- According to EN 61591 and EN/ IEC 60704-2-13 your appliance can achieve the following values in exhaust mode: Speed 1: extraction rate 220 m<sup>3</sup>/h; noise level 46 dB (A) re1pW Speed 2: extraction rate 315 m<sup>3</sup>/h; noise level 53 dB (A) re1pW Speed 3: extraction rate 430 m<sup>3</sup>/h; noise level 60 dB (A) re1pW Intensive 1: extraction rate 550 m<sup>3</sup>/h; noise level 65 dB (A) re1pW

**Performance Recirculation:**

- According to EN 61591 and EN/ IEC 60704-2-13 your appliance can achieve the following values in recirculation mode with standard recirculation kit (available as optional accessory): Speed 1: extraction rate 215 m<sup>3</sup>/h; noise level 51 dB (A) re1pW Speed 2: extraction rate 300 m<sup>3</sup>/h; noise level 61 dB (A) re1pW Speed 3: extraction rate 445 m<sup>3</sup>/h ; noise level 69 dB (A) re1pW Intensive Speed 1: extraction rate 550 m<sup>3</sup>/h; noise level 72 dB (A) re1pW

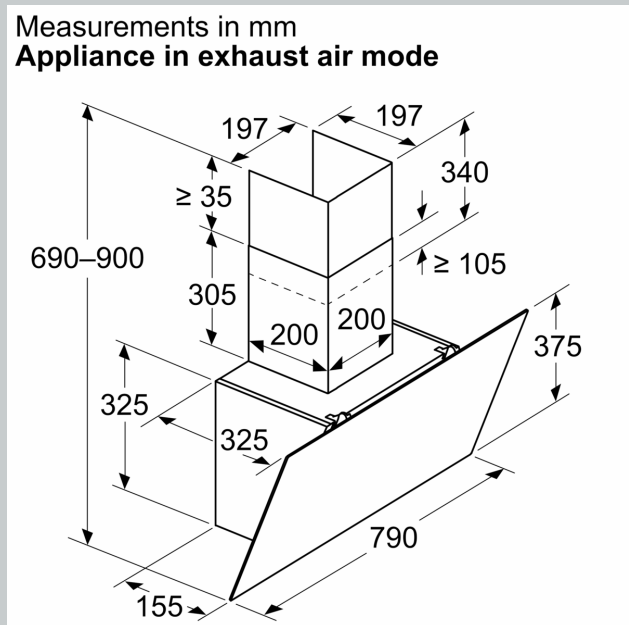
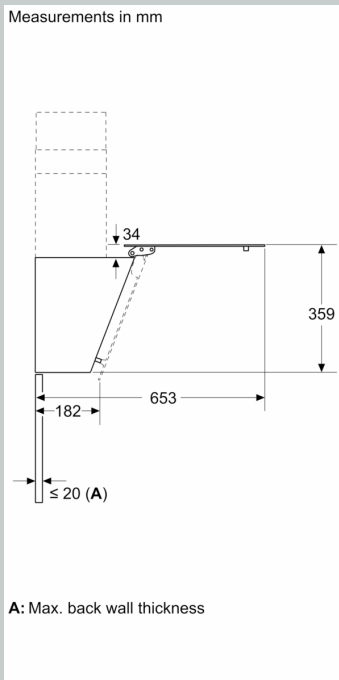
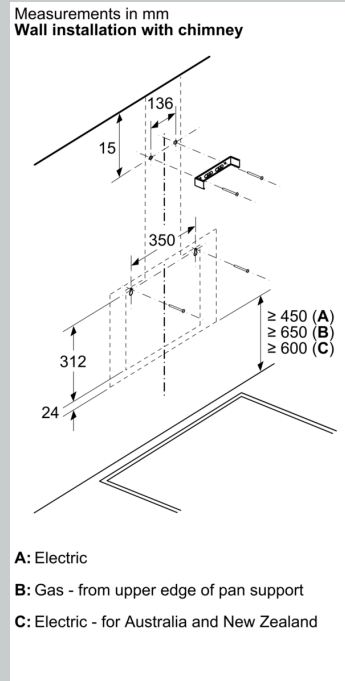
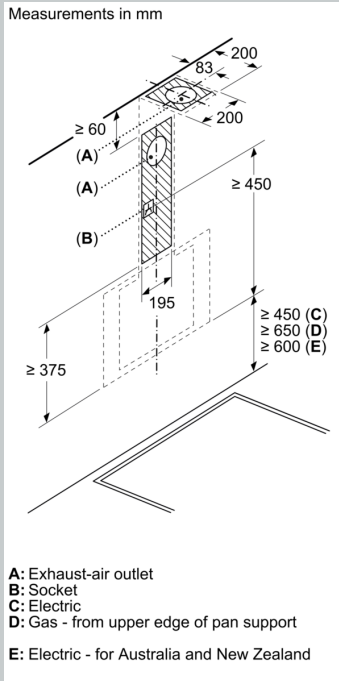
**Technical Information and Sustainability:**

- Consumption data:
- Energy Efficiency Class: A (at a range of energy efficiency classes from A+++ to D)
- Average Energy Consumption: 43.8 kWh/year\*
- Blower Efficiency Class: A\*
- Lighting Efficiency Class: A\*
- Grease Filtering Efficiency Class: E\*
- Power rating: 223 W
- Voltage: Nominal voltage: 220 - 240 V

**Planning and Installation Information:**

- Dimensions exhaust air (HxWxD): 690-900 x 790 x 325 mm
- Dimensions recirculating (HxWxD): 720-975 x 790 x 325 mm
- Diameter pipe Ø 150 mm (Ø 150 mm enclosed)
- Electrical cable length 1.5 m
- Back-pressure flap: Yes

N 30, WALL-MOUNTED COOKER HOOD, 80 CM,  
CLEAR GLASS BLACK PRINTED  
D831DK1SOB



Measurements in mm  
**Appliance in circulated air mode**

