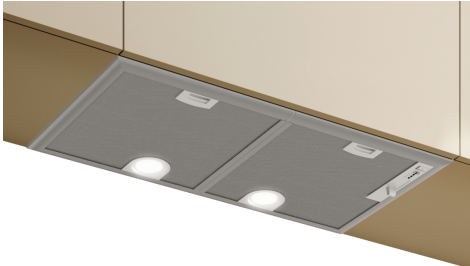


N 30, CANOPY COOKER HOOD, 75 CM, SILVER  
METALLIC  
D5855X2GB



Optional accessories

Z5155X0 Standard odor filter

- √ Intensive speed setting: increases the extraction rate when the steam gets intense
- √ LED Lighting – Clear illumination while you cook.
- √ High extraction rate - for continuously clean air in the kitchen.
- √ Reduced Noise: our optimised motor guarantees a quiet cooking experience.

Features

Technical Data

Typology: ..... Built-in/Built-under  
 Length electrical supply cord: ..... 130 cm  
 Required niche size for installation (HxWxD): ..... 215mm x 700.0mm x 350mm mm  
 Height of the appliance: ..... 215 mm  
 Minimum distance above an electric hob: ..... 650 mm  
 Minimum distance above a gas hob: ..... 650 mm  
 Net weight: ..... 9.3 kg  
 Type of control: ..... Mechanical  
 Number of speed settings: ..... 3-stages + intensive setting  
 Maximum output air extraction: ..... 468 m<sup>3</sup>/h  
 Boost position output recirculating: ..... 324.0 m<sup>3</sup>/h  
 Maximum output recirculating air: ..... 281 m<sup>3</sup>/h  
 Boost position air extraction: ..... 614 m<sup>3</sup>/h  
 Maximum Air flow: ..... 468 m<sup>3</sup>/h  
 Number of lights: ..... 2  
 Noise level: ..... 63 dB(A) re 1pW  
 Diameter of air outlet: ..... 150 mm  
 Grease filter material: ..... Washable aluminium  
 EAN code: ..... 4242004289845  
 Connection Rating: ..... 206 W  
 Voltage: ..... 220-230 V  
 Frequency: ..... 50 Hz  
 Plug type: ..... GB plug  
 Installation typology: ..... Built-in



N 30, CANOPY COOKER HOOD, 75 CM, SILVER  
METALLIC  
D5855X2GB

## Features

### Design:

- Canopy hood
- For installation under an overhead canopy kitchen unit
- Suitable for ducted extraction and recirculation

### Core Features:

- Capacitor motor
- 2 x LED spot 2.15W (low volt)
- Colour Temperature: 3500 K
- Light Intensity: 410 lux
- 2 metal grease filter(s).

### Comfort Features:

- Slide control operation
- 3 speeds plus intensive

### Cleaning Comfort:

- metal grease filter dishwasher-safe

### Performance Exhaust:

- According to EN 61591 and EN/ IEC 60704-2-13 your appliance can achieve the following values in exhaust mode: Speed 1: extraction rate 229 m<sup>3</sup>/h; noise level 46 dB (A) re1pW Speed 2: extraction rate 371 m<sup>3</sup>/h; noise level 57 dB (A) re1pW Speed 3: extraction rate 468 m<sup>3</sup>/h; noise level 63 dB (A) re1pW Intensive 1: extraction rate 614 m<sup>3</sup>/h; noise level 68 dB (A) re1pW
- Energy Efficiency Class: D (at a range of energy efficiency classes from A+++ to D)
- Average Energy Consumption: 88.1 kWh/year\*
- Blower Efficiency Class: D\*
- Lighting Efficiency Class: A\*
- Grease Filtering Efficiency Class: B\*

### Performance Recirculation:

- For recirculated extraction charcoal filter (accessory) needed
- According to EN 61591 and EN/ IEC 60704-2-13 your appliance can achieve the following values in recirculation mode with standard recirculation kit (available as optional accessory): Speed 1: extraction rate 140 m<sup>3</sup>/h; noise level 56 dB (A) re1pW Speed 2: extraction rate 231 m<sup>3</sup>/h; noise level 67 dB (A) re1pW Speed 3: extraction rate 281 m<sup>3</sup>/h ; noise level 70 dB (A) re1pW Intensive Speed 1: extraction rate 324 m<sup>3</sup>/h; noise level 73 dB (A) re1pW

### Technical Information and Sustainability:

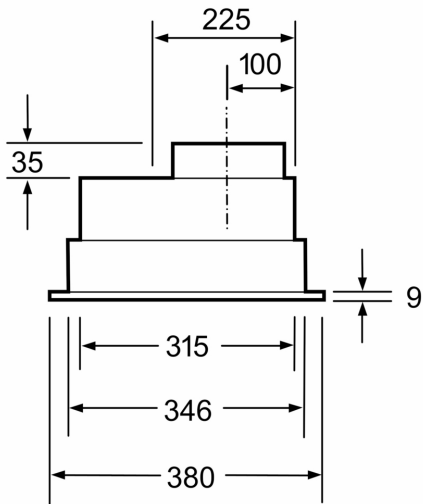
- Consumption data:
- Power rating: 206 W
- Voltage: Nominal voltage: 220 - 230 V
- Sustainability:
- Made in Germany

### Planning and Installation Information:

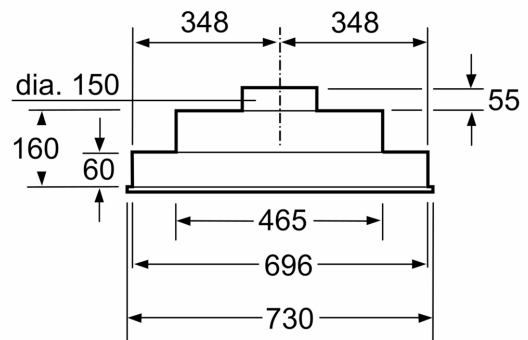
- Dimensions (HxWxD): 215 x 730 x 380 mm
- Built-in dimensions (HxWxD): 215 x 700 x 350 mm
- Electrical cable length 1.3 m
- Diameter pipe Ø 150 mm

N 30, CANOPY COOKER HOOD, 75 CM, SILVER  
METALLIC  
D5855X2GB

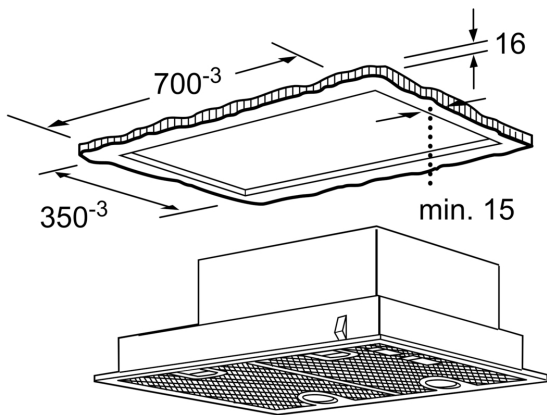
Dimensioned drawings



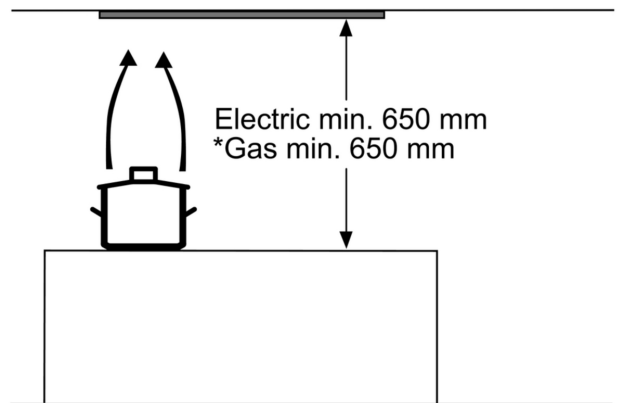
measurements in mm



measurements in mm



measurements in mm



\* from upper edge of pan support

measurements in mm