

N 90, BUILT-IN COMPACT OVEN WITH STEAM FUNCTION, 60 X 45 CM, FLEX DESIGN C29FY5CX0



Included accessories

1 x grid, 1 x universal pan, size XL, 1 x sponge, punched, 1 x steam container, unpunched, size M

Optional accessories

Z11CR10X0 Baking and roasting grid (standard), Z1365WX0 Wireless food thermometer, Z13CV06S0 Decor strip, Z1608DX0 Full ext rails, level independent, steam, Z1655CA0 Air Fry & Grill tray, Z166CAX0 SC FlexDesign mounting kit, Z7710X0 inlet and outlet hose extension, Z9045AY0 FlexDesign AG 45 Compact/MW 45, Z9045BY0 FlexDesign BB 45 Compact/MW 45, Z9045DY0 FlexDesign DB 45 Compact/MW 45, Z9045MY0 FlexDesign MS 45 Compact/MW 45, Z9060AY0 (SC)FlexDesign AG 60 Oven 60, Z9060BY0 (SC)FlexDesign BB 60 Oven 60, Z9060DY0 (SC)FlexDesign DB 60 Oven 60, Z9060MY0 (SC)FlexDesign MS 60 Oven 60, Z9075AY0 SC FlexDesign AG 75 WD 14 + 60, Z9075BY0 SC FlexDesign BB 75 WD 14 + 60, Z9075DY0 SC FlexDesign DB 75 WD 14 + 60, Z9075MY0 SC FlexDesign MS 75 WD 14 + 60, Z9098AY0 SC FlexDesign AG 98 60 + MW 38, Z9098BY0 SC FlexDesign BB 98 60 + MW 38, Z9098DY0 SC FlexDesign DB 98 60 + MW 38, Z9098MY0 SC FlexDesign MS 98 60 + MW 38, Z9105AY0 SC FlexDesign AG 105 60 + 45, Z9105BY0 SC FlexDesign BB 105 60 + 45, Z9105DY0 SC FlexDesign DB 105 60 + 45, Z9105MY0 SC FlexDesign MS 105 60 + 45, Z912AAY0 SC FlexDesign AG 120 WD14 + 60 + 45, Z912ABY0 SC FlexDesign BB 120 WD14 + 60 + 45, Z912ADY0 SC FlexDesign DB 120 WD14 + 60 + 45

Installation accessories

Z990BBY0 SC FlexDesign BB 90 45 + 45, Z9105AY0 SC FlexDesign AG 105 60 + 45, Z9105BY0 SC FlexDesign BB 105 60 + 45, Z9105DY0 SC FlexDesign DB 105 60 + 45, Z9105MY0 SC FlexDesign MS 105 60 + 45, Z912AAY0 SC FlexDesign AG 120 WD14 + 60 + 45, Z912ABY0 SC FlexDesign BB 120 WD14 + 60 + 45, Z912ADY0 SC FlexDesign DB 120 WD14 + 60 + 45, Z912AMY0 SC FlexDesign MS 120 WD14 + 60 + 45, Z990BAY0 SC FlexDesign AG 90 45 + 45, Z990BDY0 SC FlexDesign DB 90 45 + 45,

Flex Design compact oven, Intensive Steam, tap water connection and Flex Control - changeable design elements with different colours to choose and Premium 6,8" Full Touch TFT Display. Multipoint Meatprobe with forecast function. Home Connect - control your oven via the App.

- ✓ Premium 6.8-inch Full Touch TFT Display: easy and intuitive interface for maximum comfort.
- ✓ Twist Pad Flex®: the easy-to-spin dial for effortless control of your Flex Control appliances.
- ✓ Flex Design: choose a finishing touch to match your kitchen's aesthetic – and change it up later!
- ✓ Seamless Combination with Flex Design: watch your favourite appliances blend together seamlessly.
- ✓ Flex Control: the high-resolution interface that adapts to you!

Features

Technical Data

Built-in / Free-standing: Built-in
 Door opening: Drop down
 Required niche size for installation (HxWxD): 450-455 x 560-568 x 550 mm
 Dimensions: 455x596x548 mm
 Dimensions of the packed product (HxWxD):530x660x690 mm
 Control Panel Material: Glass
 Door Material: Glass
 Net weight: 32.8 kg
 Length electrical supply cord: 150 cm
 EAN code:4242004267119
 Fuse protection:16 A
 Voltage: 220-240 V
 Frequency: 50; 60 Hz
 Plug type:Gardy plug w/ earthing
 Usable volume (of cavity) - NEW (2010/30/EC):47 l
 Energy efficiency rating: A+
 Energy consumption per cycle conventional (2010/30/EC): 0.73 kWh/cycle
 Energy consumption per cycle forced air convection (2010/30/EC): 0.61 kWh/cycle
 Energy efficiency index (2010/30/EC):81.3 %
 Included accessories: 1 x grid, 1 x universal pan, 1 x steam container, punched, size XL, 1 x sponge, 1 x steam container, punched, size M, 1 x steam container, unpunched, size M



Z990BMY0 SC FlexDesign MS 90 45 + 45, Z11SZ00X1 SC
FlexDesign mounting kit, Z9045AY0 FlexDesign AG 45
Compact/MW 45, Z9045BY0 FlexDesign BB 45 Compact/MW 45,
Z9045DY0 FlexDesign DB 45 Compact/MW 45, Z9045MY0
FlexDesign MS 45 Compact/MW 45

*N 90, BUILT-IN COMPACT OVEN WITH STEAM
FUNCTION, 60 X 45 CM, FLEX DESIGN
C29FY5CX0*

Features

- Compact steam oven with 24 heating methods: Top/bottom heat, Full surface grill, Centre surface grill, Bread baking, Bottom heat, Low temperature cooking, Plate warming, Keep warm, Conventional heat gentle, Steaming, Reheat with steam, Dough proving, Defrost, Sous-vide cooking, Circo-roasting, Bread Baking Setting, warming, 4D Hot air, Top/bottom heat

Design

- Flex Design
- Touch control With steel trim
- Cavity inner surface: enamel anthracite

Features

- HomeConnect ready on WLAN
- Oven Assistant with Voice Control
- Control panel lock
- Automatic safety switch off
- Residual heat indicator
- Start button
- Door contact switch
- Full glass inner door

Programmes/functions

- Temperature range 30 °C - 250 °C
- LED light, On/off button
- Electronic clock timer
- Water inlet system: Fixed connection
- Location of water tank: Outside cavity
- Drop down door, SoftClose, soft opening
- Heat reflective glass
- Triple glazed door glazed CoolTouch door
- Temperature proposal
- Actual temperature display
- Heating up indicator
- Temperature probe
- cookControl Plus
- Rapid heat
- steam boost - add for 3min intensive steam with a touch of a button.
- There are different steam intensities selectable: steam level high, steam level middle, steam level low
- Cooling fan
- Stainless-steel fan

Level independent telescopic rails

- 3 shelf positions
- 1 Clip rail, full extension, Stop function

Cleaning

- EcoClean Direct: coating of ceiling, back panel, side liners
- EcoClean programme, Base Clean programme

Accessories

- 1 x steam container, unpunched, size M, 1 x grid, 1 x sponge, 1 x universal pan, 1 x steam container, punched, size M, 1 x steam container, punched, size XL

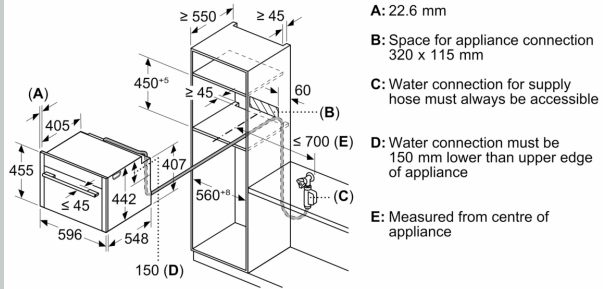
Performance/technical information

- Power cord length 150 cm Cable length
- Usable length of water hose outside the appliance: 700mm
- Nominal voltage: 220 - 240 V
- Total connected load electric: 3.3 KW
- Energy efficiency rating (acc. EU Nr. 65/2014): A+
- Energy consumption per cycle in conventional mode: 0.73 kWh
- Energy consumption per cycle in fan-forced convection mode: 0.61 kWh
- Number of cavities: Main cavity
- Heat source: electrical
- Cavity volume: 47 litre
- Appliance dimension (hwxwd): 455 mm x 596 mm x 548 mm
- Niche dimension (hwxwd): 450 mm - 455 mm x 560 mm - 568 mm x 550 mm
- "For-details-on-installation-and-ventilation requirements – please refer to the installation manual prior to fitting."

*N 90, BUILT-IN COMPACT OVEN WITH STEAM
FUNCTION, 60 X 45 CM, FLEX DESIGN
C29FY5CX0*

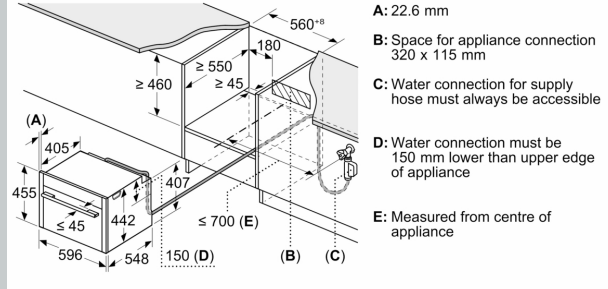
Dimensioned drawings

Measurements in mm



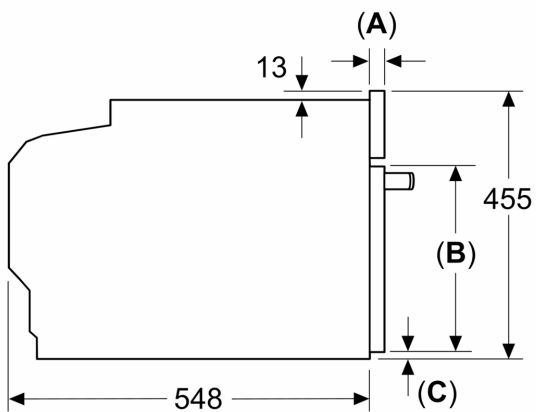
- A:** 22.6 mm
- B:** Space for appliance connection 320 x 115 mm
- C:** Water connection for supply hose must always be accessible
- D:** Water connection must be 150 mm lower than upper edge of appliance
- E:** Measured from centre of appliance

Measurements in mm



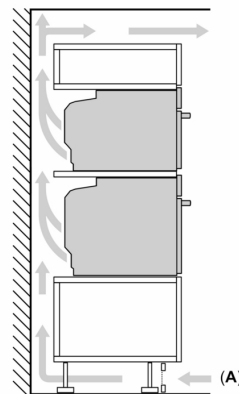
- A:** 22.6 mm
- B:** Space for appliance connection 320 x 115 mm
- C:** Water connection for supply hose must always be accessible
- D:** Water connection must be 150 mm lower than upper edge of appliance
- E:** Measured from centre of appliance

Measurements in mm



- A:** 22.6 mm
- B:** ≤ 347.5 mm
- C:** 7.5 mm

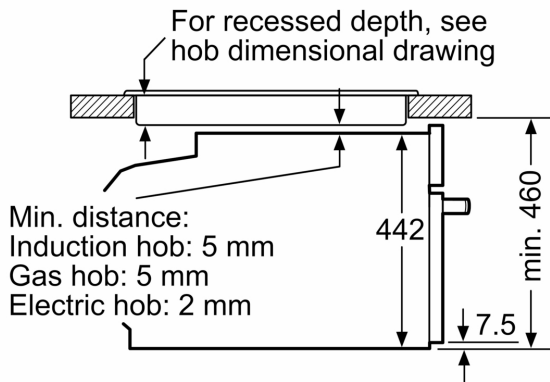
Installing two appliances on top of each other
Air exchange



A: Air inlet ≥ 200 cm²

Dimensioned drawings

Installation with a hob.



measurements in mm